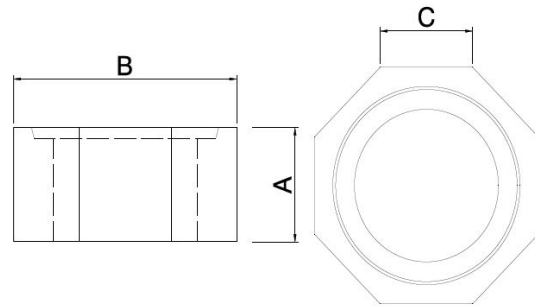




200mm I/d x 150mm high starter flue bloc



### Features and Benefits

- Pumice Concrete
- Highly Insulated
- Lightweight
- Compact block system
- Quick & easy to build
- Better performance
- Possible 0 distance to combustibles
- Resistance to temperature changes

### PRODUCT DESCRIPTION

**Pumice is a natural insulator; this is the unique property that separates pumice from all other chimney material.**

Schiedel Isokern is noteworthy for its flue and chimney products manufactured using high quality pumice which is recognised throughout Europe and USA.

#### SCHIEDEL ISOKERN OFFERS:

- The unique feature of Schiedel Isokern against other chimney systems is that pumice is known for its natural insulating properties.
- Pumice allows the flue gases in the chimney to quickly reach their optimum temperature enabling the heating appliance to reach its optimum performance shortly after lighting.
- It keeps the chimney warmer longer as the heat output of the appliance decreases, once again aiding performance and reducing the likelihood of condensation and soot build-up.
- ISOKERN is a well reputed brand known for its durability, reliability and long lasting, robust performance, under the Schiedel product portfolio.
- We have the Largest collection of masonry chimney & fire chest products
- Our products are CE marked



- Our products are tested to the appropriate EN standards

For stove and chimney installers – whenever you register an installation with our easy to use, online guarantee registration portal, you will now accrue points based on the number of installations. So [click here](#) to start and register your installations, taking full advantage of our Lifetime Guarantee on Flex and ICID, as well as guarantees on all our other ranges, and to start earning points

[wprm\_package id='47854']

Isokern Pumice Double Module DM is CE Certified to EN1858 TÜV Cert no. 0036 CPR 90219 001  
Isokern Pumice Chimney Liner is CE certified to EN1857 TÜV Cert no. 0036 CPR 90219 002  
Isokern Magnum Firechest has been tested at the Fraunhofer Institut, Stuttgart, Cert no. P8-094/2006

### CE Designation

Double Module DM System Chimney\* T450 N1 D 3 G(00)  
Pumice Chimney Liner T600 N2 D 3 G

\* Zero distance to combustibles on straight chimney systems with ventilated terminal. 38mm distance to combustibles on offset systems. and non ventilated systems.

[Isokern brochure](#)

[Magnum Firechest instructions](#)

[Click here](#) to view Certificates and Declarations of Performance for Isokern DM

### A useful app with guides on installation as well as step-by-step video guides.

This app was designed for installers to have all the information they require in a few quick clicks. This makes it easier for installers rather than having to carry paperwork during the installation process with video breakdowns of each stage of the installation process.

Download the iPhone and iPad version in the App Store and Android version in the Google Play Store.

