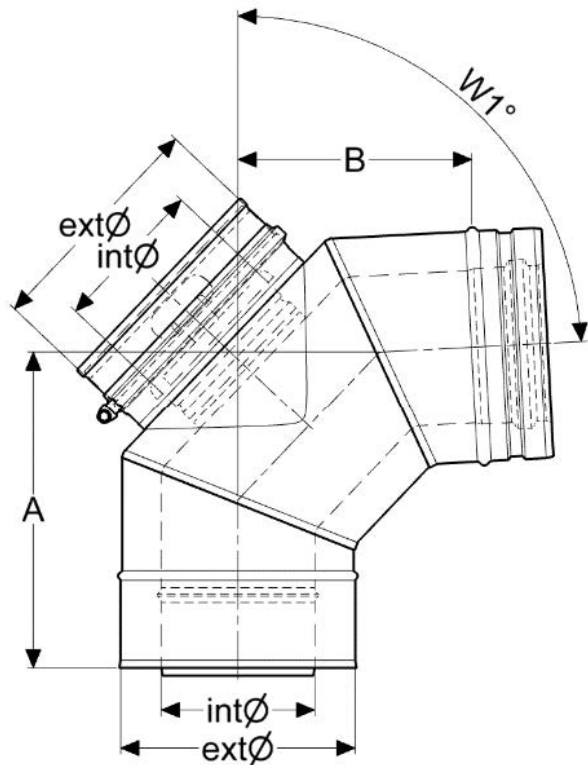




## 87 Inspection Deg Bend - UK Plus



UK Plus Concentric flue system is a modular, high quality stainless steel concentric flue system for balanced flue applications.

It is designed to operate with room sealed condensing or non-condensing gas or oil appliances in positive or negative pressure with continuous operating temperature up to 200 Degree C.

Without the seal it can be used on gas fires with a temperature rating of up to T600.

#### System properties

- Multi purpose concentric system in lightweight design
- Suitable for internal and external application
- Silicone gaskets ensure P1 pressure tightness
- With viton gaskets suitable also for oil appliances
- High quality engineered joints secured by locking bands
- Wide range of installer friendly accessories
- No thermal bridges

#### Application area

- Flue gas extraction and air supply of room-sealed appliances
- Condensing appliances
- Residential or commercial use

#### VARIATIONS



SKU	Int mm	Ext mm	A	B	Price
173980	130	Any Ext mm	Any A	Any B	
173978	100	Any Ext mm	Any A	Any B	
173977	080	Any Ext mm	Any A	Any B	

## PRODUCT DESCRIPTION

UK Plus Concentric flue system is a modular, high-quality stainless steel concentric flue system for balanced flue applications.

It is designed to operate with room-sealed condensing or non-condensing gas or oil appliances in positive or negative pressure with continuous operating temperatures up to 200 Degrees C.

Without the seal, it can be used on gas fires with a temperature rating of up to T600.

### System Properties



- Multi-purpose concentric system in lightweight design
- Suitable for internal and external application
- Silicone gaskets ensure P1 pressure tightness
- With Viton gaskets suitable also for oil appliances
- High-quality engineered joints secured by locking bands
- Wide range of installer-friendly accessories
- No thermal bridges

### Application area

- Flue gas extraction and air supply of room-sealed appliances
- Condensing appliances
- Residential or commercial use.



For stove and chimney installers – whenever you register an installation with our easy to use, online guarantee registration portal, you will now accrue points based on the number of installations and installation type. So start to register your installations, taking full advantage of our Lifetime Guarantee on Flex and ICID, as well as guarantees on all our other ranges, and to start earning points

 <a href="#">UK Plus brochure</a> <a href="#">Download</a>	 <a href="#">UK Plus DOPs and certificates</a> <a href="#">Download</a>
---	--



[UK Plus  
DOPs and  
certificates](#) [Download](#)

**EN 1856-1 System chimney CE Designation:**

036 - CPR - 91236-057 Production: Teplice (CZ)

T200 - P1 - W - V2 - L50040 - O00

T200 - P1 - W - Vm - L20040 - O50

T600 - N1 - W - V2 - L50040 - O50

T600 - N1 - W - Vm - L20040 - O50

**EN 1856-2 Connecting flue pipe CE Designation:**

0036 - CPR - 91236-058 Production: Teplice (CZ)

T200 - P1 - W - V2 - L50040 - O30

T200 - P1 - W - Vm - L20040 - O30