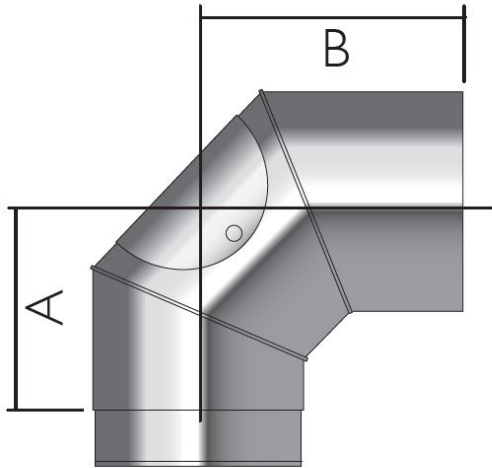




90 Degree Inspection Bend - Prima Smooth



This item gives a fixed angle of 90 → . Suitable for use in negative pressure (N1) applications. The door, which is fixed in place by two Avdels, can be removed to allow for Inspection and cleaning on a connecting flue pipe application.

- Provides a fixed angle of 90 Degrees
- Provides access to the system for cleaning and maintenance purposes.
- 316L Grade Stainless Steel
- Corrosion tested
- Lightweight
- Precision engineered jointing system
- Available in matt black or steel finish
- Can be painted
- Range 125, 150, 180, 200

VARIATIONS

SKU	Int mm	Colour	A	B	C	Thickness	Price
122592	125	Black	131	190	100	0.6mm	
111353	150	Black	131	190	130	0.6mm	
110883	125	Plain	131	190	100	0.6mm	
111354	150	Plain	131	190	130	0.6mm	
119906	180	Plain	134	184	130	0.6mm	
122593	125	Black	131	190	100	1mm	
119992	150	Black	131	190	130	1mm	
111019	125	Plain	131	190	100	1mm	
111323	150	Plain	131	190	130	1mm	

PRODUCT DESCRIPTION



Prima Smooth is a high quality 316L grade stainless steel single wall flue system available with two wall thickness options of 0.6mm and 1mm.

There are two possible applications:

1. **Connecting flue pipe** - Prima Smooth has been tested and approved for use as connecting flue pipe between an appliance and a system chimney.
2. **Chimney liner** - Prima Smooth has been tested and approved for use as an alternative to a flexible stainless steel liner for re-lining an existing chimney.

Prima Smooth is a lightweight precision engineered product, designed for use on atmospheric wood burning and multi-fuel appliances with continuous operating temperatures of up to 600°C. The joints in the pipe are designed to give a smooth visual appearance and Prima Smooth is available in two surface finishes:

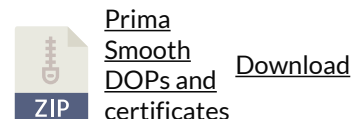
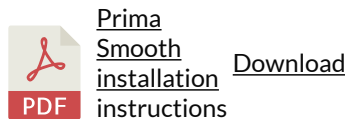
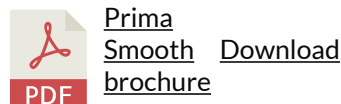
- Matt 316L grade stainless steel.
- Matt black painted 316L grade stainless steel using a special high temperature resistant paint.

Technical details

Application	Connection pipe/renovation pipe
Aggregation	Non-condensing
Busy	Under pressure
Maximum overpressure	0 Pa
Operating temperature	600°C
Maximum allowed temperature	600°C
Material	AISI 316L/EN 1.4404
Wall thickness	0.6mm
Fuel	wood/pellets normal (wood)/multifuel



For stove and chimney installers – whenever you register an installation with our easy to use, online guarantee registration portal, you will now accrue points based on the number of installations and installation type. So start to register your installations, taking full advantage of our Lifetime Guarantee on Flex and ICID, as well as guarantees on all our other ranges, and to start earning points





Perimeter
Smooth
DOPs and
certificates

[Download](#)

ZIP

Prima Plus is CE Certified for the following high temperature applications

Connecting Flue Pipe

EN1856-2 TÜV 0036 CPR 9195 029

T600 N1 W V2 L50060 GXX NM T600 N1 W V2 L50100 GXX NM

(XX = 3 x Ø Int. of Pipe)

Chimney Liner

EN1856-2 TÜV 0036 CPR 9195 033

T600 N1 D V2 L50060 G

T600 N1 D V2 L50100 G

The Prima Smooth range is manufactured under the strict requirements of BS EN ISO 9001 Quality management scheme. Prima Smooth has corrosion certification from TÜV. Prima Smooth is listed by HETAS as a product suitable for solid fuel.



FREE Access to advanced CAD modelling files.

Please visit our external BIM (Business Information Modelling) for access to advanced modelling files in a number of formats. Please note that you will have to register and login for access to the files.

[Click here to access our BIM files.](#)

A useful app with guides on installation as well as step-by-step video guides.

This app was designed for installers to have all the information they require in a few quick clicks. This makes it easier for installers rather than having to carry paperwork during the installation process with video breakdowns of each stage of the installation process.

Download the iPhone and iPad version in the App Store and Android version in the Google Play Store.

