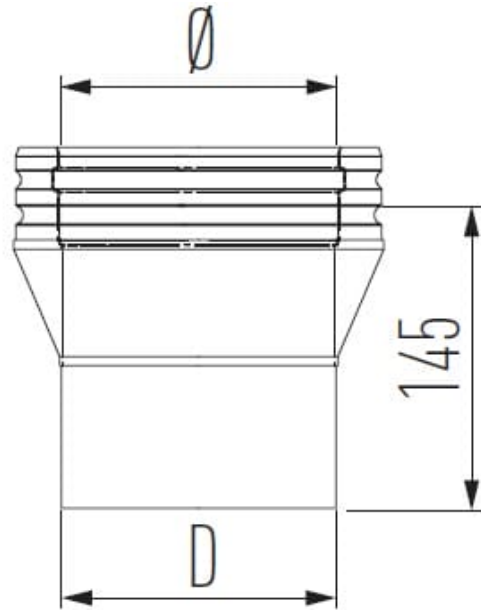




Adaptor smooth and tapered - MFAGT



Adaptor smooth and tapered - MFAGT is part of our Starting components / adaptors, Twin Wall range for our Schiedel MF system, which is a modular twin wall insulated flue/chimney system, made of stainless steel, with a sealing ring.

MF is a universal flue/chimney system that is suitable for both high and low temperatures, non-condensing and condensing applications with flue gasses in positive and negative pressure.

**VARIATIONS**

SKU	Int mm	Colour	Ext mm	D	Price
162024	200	Plain	250	199	
162020	100	Plain	150	99	
162021	130	Plain	180	129	
162022	150	Plain	200	149	
162025	250	Plain	300	249	

**PRODUCT DESCRIPTION**



The Metaloterm® MF system is a modular twin-wall insulated flue/chimney system, made of stainless steel, with a sealing ring. Metaloterm® MF is a universal flue/chimney system that is suitable for both high and low temperatures, non-condensing and condensing applications with flue gasses in positive and negative pressure. It can resist a chimney fire.

Therefore the system is suited for a wide range of applications such as boilers, stoves and ovens. The product range also contains a wide variety of silencers. For Passive houses, the Metaloterm assortment provides the Iso-block which can be combined with MF. The system can also be used for CHP applications, in this case, a special VITON® sealing ring might be necessary.

Due to the proven quality, Metaloterm® MF has a 10-year guarantee.

## APPLICATIONS

- Atmospheric gas-fired boilers
- Condensing boilers
- Wood-fired stoves
- Industrial ovens, large-scale establishments

## ADVANTAGES

- Universal chimney/flue system
- Inner- and outer wall from high quality stainless steel
- No terminal bridges, uninterrupted insulation from base plate to top stub
- Stress free thermal expansion
- Fast-build system without the need of sealants
- Compatible with system Metaloterm® ME, UE and EN



- High density and high quality insulation
- High-temperature silicone sealing ring
- Lightweight elements
- Immediately ready for use
- Chimney fire resistant

For stove and chimney installers – whenever you register an installation with our easy to use, online guarantee registration portal, you will now accrue points based on the number of installations. So [click here](#) to start and register your installations, taking full advantage of our Lifetime Guarantee on Flex and ICID, as well as guarantees on all our other ranges, and to start earning points

[MF brochure](#)

[Click here](#) to view Certificates and Declarations of Performance

#### **CE approved | EN 1856-1**

T200 P1/H1 W V2 L50040 O10

T450 N1 W V2 L50040 G60

T450 N1 D V3 L50040 G60 (Scenario 1: Combustible Floor & Combustible Enclosure)

T450 N1 W V2 L50040 G60

T450 N1 D V3 L50040 G50 (Scenario 2: Non combustible Floor and Non Combustible enclosure, or in Free Air)

#### **CE approved | EN 1856-2:**

T200 P1/H1 W V2 L50040 O10 M

T450 N1 W V2 L50040 O40 M

T450 N1 D V3 L50040 G70 M

\* Above CE designations refer to Ø100-300 – For larger diameters refer to Schiedel Metaloterm website.

#### **DECLARATION OF PERFORMANCE / FIRE RATING**

#### **FREE Access to advanced CAD modelling files.**

Please visit our external BIM (Business Information Modelling) for access to advanced modelling files in a number of formats. Please note that you will have to register and login for access to the files.

[Click here to access our BIM files.](#)