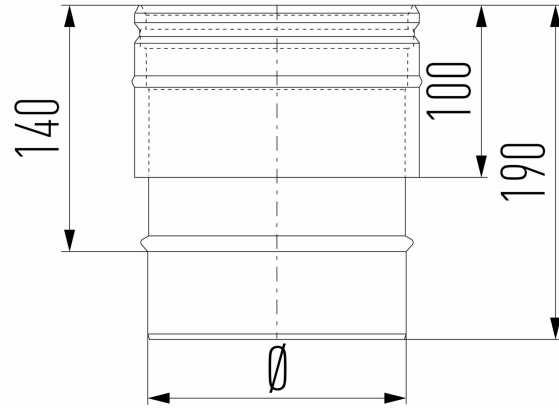




## Adaptor



The Metaloterm UE system is a modular twin wall flue system, made of stainless steel with an air gap insulation and sealing ring.

Metaloterm UE is suitable for low temperatures, condensing and non-condensing applications with flue gasses in positive or negative pressure. The system is suited for a wide range of applications such as condensing heaters and boilers, gas-fired stoves and ventilation systems.

### Applications

- Gas fired stoves
- Oil fired stoves
- Industrial ventilation systems
- Air inlet or ventilation system
- Condensing heaters and boilers
- Atmospheric gas-fired boilers

### Advantages

- Universal applicable flue-system
- Compatible with Metaloterm ME, Metaloterm MF
- Pressure-tight up to 5000 Pa
- Inner- and outer wall from high quality stainless steel
- Stress free thermal expansion
- Extremely low heat mass maintains draught and allows longer runs of installed flue



## VARIATIONS

SKU	Int mm	Ext mm	Thickness	Finish	Price
163253	080	190	0.4	316	
163254	100	190	0.4	316	
163255	130	190	0.4	316	
163256	150	190	0.4	316	
163257	180	190	0.4	316	
163258	200	190	0.4	316	
163259	250	190	0.4	316	

## PRODUCT DESCRIPTION

The Metaloterm® UE system is a modular twin wall flue system, made of stainless steel with an air gap insulation and sealing ring. Metaloterm® UE is suitable for low temperatures, condensing and non- condensing applications with flue gasses in positive or negative pressure. The system is suited for a wide range of applications such as condensing heaters and boilers, gas-fired stoves and ventilation systems.



[UE brochure](#) [Download](#)

[UE DXF files](#) [Download](#)



[UE DOPs and certificates](#) [Download](#)

### CE approved | EN 1856-1:

T200 P1/H1 W V2 L50040 O25  
T250 N1 W V2 L50040 O25  
T400 N1 W V2 L50040 O130  
T400 N1 D V3 L50040 G130

### CE approved | EN 1856-2

T200 P1/H1 W V2 L50040 O50 M  
T400 N1 W V2 L50040 O200 M  
T400 N1 D V3 L50040 G200 M