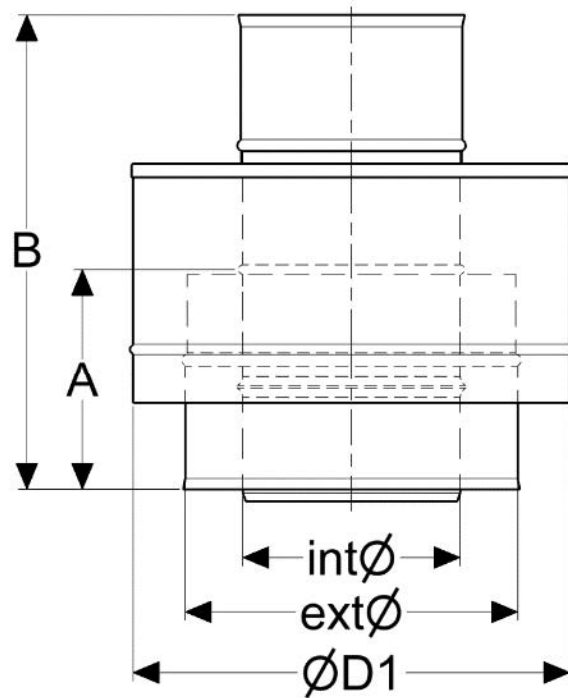




Air terminal - UK Plus



UK Plus Concentric flue system is a modular, high quality stainless steel concentric flue system for balanced flue applications.

It is designed to operate with room sealed condensing or non-condensing gas or oil appliances in positive or negative pressure with continuous operating temperature up to 200 Degree C.

Without the seal it can be used on gas fires with a temperature rating of up to T600.

System properties

- Multi purpose concentric system in lightweight design
- Suitable for internal and external application
- Silicone gaskets ensure P1 pressure tightness
- With viton gaskets suitable also for oil appliances
- High quality engineered joints secured by locking bands
- Wide range of installer friendly accessories
- No thermal bridges

Application area

- Flue gas extraction and air supply of room-sealed appliances
- Condensing appliances
- Residential or commercial use

VARIATIONS

SKU	Int mm	Ext mm	A	B	OD1	Price
173989	100	150	100	225	200	



SKU	Int mm	Ext mm	A	B	OD1	Price
173990	130	200	100	225	270	
173988	080	130	100	225	180	

PRODUCT DESCRIPTION

UK Plus Concentric flue system is a modular, high-quality stainless steel concentric flue system for balanced flue applications.

It is designed to operate with room-sealed condensing or non-condensing gas or oil appliances in positive or negative pressure with continuous operating temperatures up to 200 Degrees C.

Without the seal, it can be used on gas fires with a temperature rating of up to T600.

System Properties

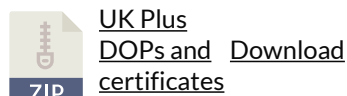
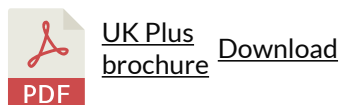
- Multi-purpose concentric system in lightweight design
- Suitable for internal and external application
- Silicone gaskets ensure P1 pressure tightness
- With Viton gaskets suitable also for oil appliances
- High-quality engineered joints secured by locking bands
- Wide range of installer-friendly accessories
- No thermal bridges

Application area

- Flue gas extraction and air supply of room-sealed appliances
- Condensing appliances
- Residential or commercial use.



For stove and chimney installers – whenever you register an installation with our easy to use, online guarantee registration portal, you will now accrue points based on the number of installations and installation type. So start to register your installations, taking full advantage of our Lifetime Guarantee on Flex and ICID, as well as guarantees on all our other ranges, and to start earning points



EN 1856-1 System chimney CE Designation:



UK Plus
DOPs
and
certificates

Download

0036 - CPR - 91236-057 Production: Teplice (CZ)

T200 - P1 - W - V2 - L50040 - O00
T200 - P1 - W - Vm - L20040 - O50
T600 - N1 - W - V2 - L50040 - O50
T600 - N1 - W - Vm - L20040 - O50

EN 1856-2 Connecting flue pipe CE Designation:

0036 - CPR - 91236-058 Production: Teplice (CZ)

T200 - P1 - W - V2 - L50040 - O30
T200 - P1 - W - Vm - L20040 - O30