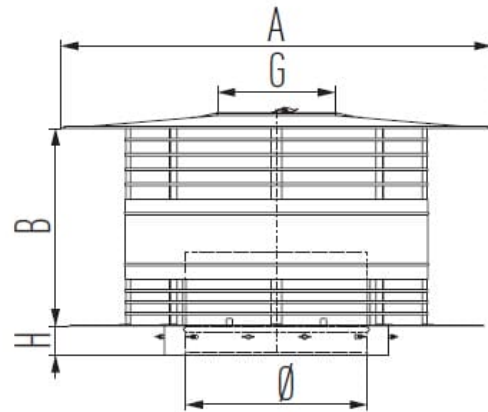
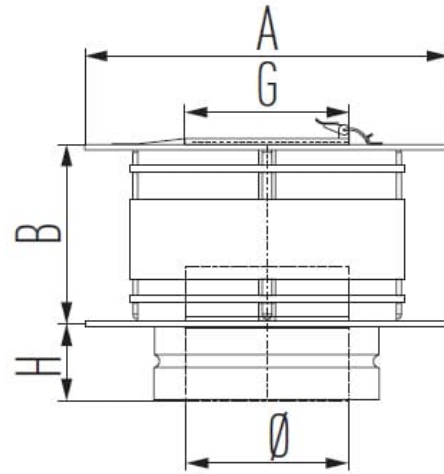




All weather cap with inspection - MFKR



The Metaloterm® MF system is a modular twin wall insulated flue/chimney system, made of stainless steel, with a sealing ring. Metaloterm® MF is a universal flue/chimney system which is suitable for both high and low temperatures, non-condensing and condensing applications with flue gasses in positive and negative pressure. It can resist a chimney fire. Therefore the system is suited for a wide range of applications such as boilers, stoves and ovens. The product range also contains a wide variety of silencers. For Passive houses the Metaloterm assortment provides the Iso-block which can be combined with MF. The system can also be used for CHP applications, in this case a special VITON® sealing ring might be necessary. Due to the proven quality Metaloterm® MF has a 10 year guarantee.

APPLICATIONS

- Atmospheric gas-fired boilers
- Condensing boilers
- Wood-fired stoves
- Industrial ovens, large-scale establishments

ADVANTAGES

- Universal chimney/flue system
- Inner- and outer wall from high quality stainless steel



- No terminal bridges, uninterrupted insulation from base plate to top stub
- Stress free thermal expansion
- Fast-build system without the need of sealants
- Compatible with system Metaloterm® ME, UE and EN
- High density and high quality insulation
- High-temperature silicone sealing ring
- Lightweight elements
- Immediately ready for use
- Chimney fire resistant

VARIATIONS

SKU	Int mm	Colour	Ext mm	A	B	H	Price
162469	100	Any Colour	Any Ext mm	220	110	70	
162470	130	Any Colour	Any Ext mm	285	145	70	
162471	150	Any Colour	Any Ext mm	330	165	70	
162472	180	Any Colour	Any Ext mm	395	200	70	
162473	200	Any Colour	Any Ext mm	440	220	70	
162474	250	Any Colour	Any Ext mm	550	275	70	
162475	300	Any Colour	Any Ext mm	660	330	70	
162476	350	Any Colour	Any Ext mm	770	385	70	
162477	400	Any Colour	Any Ext mm	880	440	70	
162478	450	Any Colour	Any Ext mm	890	435	65	
162479	500	Any Colour	Any Ext mm	990	490	65	
162480	600	Any Colour	Any Ext mm	1190	590	65	

PRODUCT DESCRIPTION



The Metaloterm® MF system is a modular twin-wall insulated flue/chimney system, made of stainless steel, with a sealing ring. Metaloterm® MF is a universal flue/chimney system that is suitable for both high and low temperatures, non-condensing and condensing applications with flue gasses in positive and negative pressure. It can resist a chimney fire.

Therefore the system is suited for a wide range of applications such as boilers, stoves and ovens. The product range also contains a wide variety of silencers. For Passive houses, the Metaloterm assortment provides the Iso-block which can be combined with MF. The system can also be used for CHP applications, in this case, a special VITON® sealing ring might be necessary.

Due to the proven quality, Metaloterm® MF has a 10-year guarantee.

APPLICATIONS

- Atmospheric gas-fired boilers
- Condensing boilers
- Wood-fired stoves
- Industrial ovens, large-scale establishments

ADVANTAGES

- Universal chimney/flue system
- Inner- and outer wall from high quality stainless steel
- No terminal bridges, uninterrupted insulation from base plate to top stub
- Stress free thermal expansion
- Fast-build system without the need of sealants
- Compatible with system Metaloterm® ME, UE and EN



- High density and high quality insulation
- High-temperature silicone sealing ring
- Lightweight elements
- Immediately ready for use
- Chimney fire resistant

For stove and chimney installers – whenever you register an installation with our easy to use, online guarantee registration portal, you will now accrue points based on the number of installations. So [click here](#) to start and register your installations, taking full advantage of our Lifetime Guarantee on Flex and ICID, as well as guarantees on all our other ranges, and to start earning points

[MF brochure](#)

[Click here](#) to view Certificates and Declarations of Performance

CE approved | EN 1856-1

T200 P1/H1 W V2 L50040 O10

T450 N1 W V2 L50040 G60

T450 N1 D V3 L50040 G60 (Scenario 1: Combustible Floor & Combustible Enclosure)

T450 N1 W V2 L50040 G60

T450 N1 D V3 L50040 G50 (Scenario 2: Non combustible Floor and Non Combustible enclosure, or in Free Air)

CE approved | EN 1856-2:

T200 P1/H1 W V2 L50040 O10 M

T450 N1 W V2 L50040 O40 M

T450 N1 D V3 L50040 G70 M

* Above CE designations refer to Ø100-300 – For larger diameters refer to Schiedel Metaloterm website.

DECLARATION OF PERFORMANCE / FIRE RATING

FREE Access to advanced CAD modelling files.

Please visit our external BIM (Business Information Modelling) for access to advanced modelling files in a number of formats. Please note that you will have to register and login for access to the files.

[Click here to access our BIM files.](#)