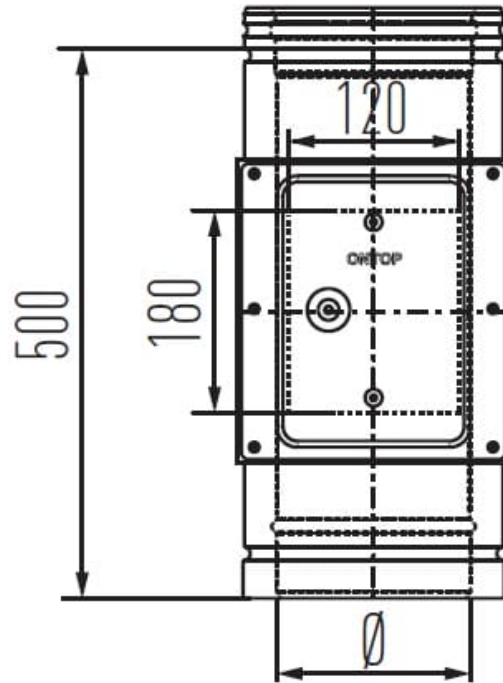




Clean out door - MFTR



Clean out door - MFTR is part of our Pipes range for our Schiedel MF system, which is a modular twin wall insulated flue/chimney system, made of stainless steel, with a sealing ring.

MF is a universal flue/chimney system that is suitable for both high and low temperatures, non-condensing and condensing applications with flue gasses in positive and negative pressure.

VARIATIONS

SKU	Int mm	Colour	Ext mm	Price
162796	130	Plain	180	
162797	150	Plain	200	
162798	180	Plain	230	
162799	200	Plain	250	
162800	250	Plain	300	



SKU	Int mm	Colour	Ext mm	Price
162801	300	Plain	350	
162802	350	Plain	400	
162803	400	Plain	450	

PRODUCT DESCRIPTION

The Metaloterm® MF system is a modular twin-wall insulated flue/chimney system, made of stainless steel, with a sealing ring. Metaloterm® MF is a universal flue/chimney system that is suitable for both high and low temperatures, non-condensing and condensing applications with flue gasses in positive and negative pressure. It can resist a chimney fire.

Therefore the system is suited for a wide range of applications such as boilers, stoves and ovens. The product range also contains a wide variety of silencers. For Passive houses, the Metaloterm assortment provides the Iso-block which can be combined with MF. The system can also be used for CHP applications, in this case, a special VITON® sealing ring might be necessary.

Due to the proven quality, Metaloterm® MF has a 10-year guarantee.

APPLICATIONS

- Atmospheric gas-fired boilers
- Condensing boilers
- Wood-fired stoves



- Industrial ovens, large-scale establishments

ADVANTAGES

- Universal chimney/flue system
- Inner- and outer wall from high quality stainless steel
- No terminal bridges, uninterrupted insulation from base plate to top stub
- Stress free thermal expansion
- Fast-build system without the need of sealants
- Compatible with system Metaloterm® ME, UE and EN
- High density and high quality insulation
- High-temperature silicone sealing ring
- Lightweight elements
- Immediately ready for use
- Chimney fire resistant

For stove and chimney installers – whenever you register an installation with our easy to use, online guarantee registration portal, you will now accrue points based on the number of installations. So [click here](#) to start and register your installations, taking full advantage of our Lifetime Guarantee on Flex and ICID, as well as guarantees on all our other ranges, and to start earning points

[MF brochure](#)

[Click here](#) to view Certificates and Declarations of Performance

CE approved | EN 1856-1

T200 P1/H1 W V2 L50040 O10

T450 N1 W V2 L50040 G60

T450 N1 D V3 L50040 G60 (Scenario 1: Combustible Floor & Combustible Enclosure)

T450 N1 W V2 L50040 G60

T450 N1 D V3 L50040 G50 (Scenario 2: Non combustible Floor and Non Combustible enclosure, or in Free Air)

CE approved | EN 1856-2:

T200 P1/H1 W V2 L50040 O10 M

T450 N1 W V2 L50040 O40 M

T450 N1 D V3 L50040 G70 M

* Above CE designations refer to Ø100-300 – For larger diameters refer to Schiedel Metaloterm website.

DECLARATION OF PERFORMANCE / FIRE RATING

FREE Access to advanced CAD modelling files.

Please visit our external BIM (Business Information Modelling) for access to advanced modelling files in a number of formats. Please note that you will have to register and login for access to the files.

[Click here to access our BIM files.](#)