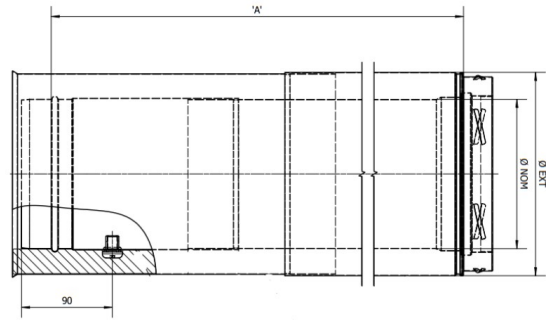
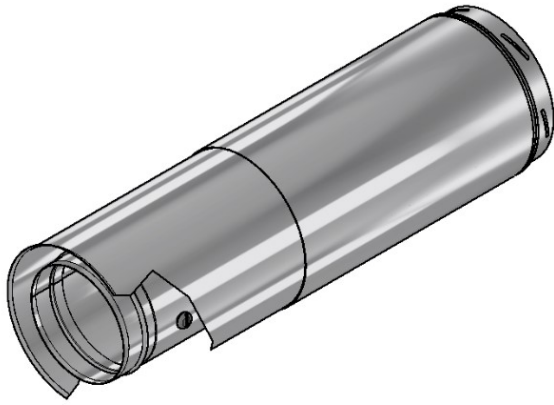




Double Wall Adjustable Starter Section with test point - ICID Plus



The new ICID DW Adjustable Starter Section now incorporates a dedicated test point on its liner, combining both connection to the appliance and a test point into one part. This will be introduced alongside the existing DW Adjustable Starter Section, giving customers a further option when connecting to their appliance using ICID.

However, we will be removing the old version from our offering as and when their stock levels hit zero. We appreciate changes like this can cause some issues with end users, installers and customers. Because of this we are also reducing the list prices of the older painted variants to match those of the new version. Please see the table below for a breakdown of the new lists.

The addition now allows for a test point to be incorporated into the system which is hidden and does not require additional parts to be ordered. The section will come complete with the fitted Avdel insert and screw. The part will be available in 600mm & 1035mm lengths, painted & unpainted and diameters Ø125mm & Ø150mm

Features	Benefits
Features - Test point incorporated into part.	Benefits - Reduces the amount of items required on order and to be held as stock.
Test point is hidden behind the case and insulation.	Excellent aesthetics with no drop in functionality.
Adjustable liner and case.	Appliances can be easily removed for sweeping and maintenance of flue.
316L liner.	High corrosion resistance.
0.5mm liner and case.	High mechanical strength.

VARIATIONS

SKU	Int mm	Colour	Ext mm	Length	Price
176798	125	Plain	180	600	
176799	150	Plain	200	600	
176800	125	Black	180	600	
176801	150	Black	200	600	
176802	125	Plain	180	1037	
176803	150	Plain	200	1037	



SKU	Int mm	Colour	Ext mm	Length	Price
176804	125	Black	180	1037	
176805	150	Black	200	1037	

PRODUCT DESCRIPTION

ICID Plus is a multi-application system adaptable for Dry (D), Fu (W) and even Positive Pressure (P) applications.

ICID Plus is ideal not only for traditional stoves but also for pellet stoves, biomass appliances, mini/micro CHP and even condensing boilers capable of withstanding positive pressure.

The system is designed so that the outer case is load bearing and the inner liner is free to expand independently, therefore thermal expansion is accommodated within each and every joint of the system.

ICID Plus comes with a Lifetime Guarantee and has a number of excellent features:

- Joint design is a twist-lock bayonet jointing system, secured by locking band.
- Advanced corrosion resistant design and construction uses laser welded 316L stainless steel inner liner and stainless steel case.
- The 25mm of high density mineral wool insulation maintains flue gas temperature, maximising efficiency, improving flue draught on start up and minimising condensation.
- Low external case temperature.
- The inner liner is free to expand through the female collar, allowing for maximum thermal expansion even during a soot fire.
- The inner liner has an engineered design with an inward bead at the female end which acts as a capillary break preventing moisture being drawn through the joint.
- Lip seal packs are available containing a quick fit female lip seal with a grease sachet to allow product to be easily adapted for use in Positive Pressure (P) app.



For stove and chimney installers – whenever you register an installation with our easy to use, online guarantee registration portal, you will now accrue points based on the number of installations and installation type. So start to register your installations, taking full advantage of our Lifetime Guarantee on Flex and ICID, as well as guarantees on all our other ranges, and to start earning points

A useful app with guides on installation as well as step-by-step video guides.

This app was designed for installers to have all the information they require in a few quick clicks. This makes it easier for installers rather than having to carry paperwork during the installation process with video breakdowns of each stage of the installation process.

Download the iPhone and iPad version in the App Store and Android version in the Google Play Store.



We are confident in our products and so offer you (the owner) a generous guarantee in relation to the ICID system (the System).

Provided that you comply in full with Your Responsibilities (below) and subject to the Small Print (below), we guarantee to you that the System will be free from defects for whichever is the greater of:

a period equal to the guarantee period of the appliance to which the system is first connected; or
20 years.

For example, if your System is fitted to an appliance with a guarantee period of 10 years, we will still guarantee your System for 20 years.

In the unlikely event that the System becomes defective during the guarantee period, we will provide a like-for-like replacement for free (subject to your compliance with Your Responsibilities and subject to the Small Print). If the same model is no longer available, we will replace it with a suitable alternative.

When we say 'no quibbles' we mean it and so the guarantee we offer is a straightforward one; we've set out below what is covered and what isn't by the guarantee as well as how to ensure you benefit from it.

YOUR RESPONSIBILITIES

To benefit from our guarantee, you must:

Register your product within 30 days of installation at www.schiedel.co.uk and provide us with any evidence we reasonably request to prove that your System has been fitted by a HETAS approved installer or if not, has been signed off by a Building Control Inspector prior to use.

Familiarise yourself with the User Guide and comply with its provisions in full during the lifetime of your usage of the Liner (including by keeping the required records safe). Failure to do so will invalidate any guarantee claim.

HOW TO CLAIM UNDER YOUR GUARANTEE

To claim under your guarantee, please email us at info@schiedel.co.uk. You will be asked to provide proof that you have complied in full with the User Guide (for example, by providing cleaning records) and we will then assess your claim, keeping you fully informed.

SMALL PRINT

- Your guarantee is effective from the date on which your System is installed.
The guarantee extends only to us providing you with a replacement System. We will pay for the delivery of that replacement to the address you have registered but you are responsible for any costs related to the removal and transit of the defective System and the installation (and any associated costs) of the replacement System and the provision of any necessary ancillary products, fittings or consumables.
- The guarantee does not apply to the extent that defects in a System arise as a result of: (1) use of fittings other than approved fittings; (2) any failure to comply with the instructions set out in the User Guide (including those instructions relating to care and servicing of your System); (3) any alteration or repairs you make to it (or are made on your behalf) without our express written permission; (4) any accidental damage suffered during transit or otherwise; (5) any damage to the System that arises as a result of the installation of the System (our guarantee is offered in respect of the System product alone and does not cover the ancillary products or the consumables (such as lip seal gaskets) or the workmanship of any installation services you may obtain from any third party); or, (6) any negligent or other improper use.
- If we replace your System under this guarantee, the guarantee period will not be extended.
- If you move house, you may transfer the benefit of the remaining period of the guarantee to the new home owner within 3



months of the change of ownership. It is your responsibility to transfer the guarantee by emailing us at info@schiedel.co.uk and to notify the new owner of the terms of the guarantee (including the new owner's responsibilities). A failure to notify us of a transfer within the timescales will invalidate the guarantee.

- Where you claim that a System is defective, we reserve the right (1) to carry out any tests on that System, and/or (2) to require access to that System, in both cases to satisfy ourselves that you have complied in full with your responsibilities (including by adhering to the User Guide) and that your claim is valid. Please cooperate with any reasonable requests we make in this regard.
- This guarantee is offered in addition to your legal rights as a consumer.



[ICID DOPs
and
certificates](#) [Download](#)

ICID Plus is CE Certified to EN1856-1 TÜV 0036 CPR 9195 010 with designations:
ICID Plus is CE Certified to EN1856-2 TÜV 0036 CPR 9195 042 with designations:

System Chimney EN1856-1

T450 N1 W V2 L50050 G60

T450 N1 D V3 L50050 G60

60mm Distance to combustibles running through a combustible floor using G60 round firestop

T450 N1 W V2 L50050

G50 T450 N1 D V3 L50050 G50

50mm Distance to combustibles a) running through a combustible floor using G50 ventilated fire stops b) In a ventilated shaft using G50 or G60 round ventilated fire stops in combination with G50 ventilated support plate at base and G50 ventilated fire stop plate at top of shaft. c) In free air

T200 P1 W V2 L50050 O00

Zero distance to combustibles

Connecting Flue Pipe EN1856-2

T450 N1 D V2 L50050 G100 M

- Manufactured under a Quality Management Scheme approved to BS EN ISO 9001
- 4 Hour Fire Rating to BS476 Part 20
- Certified for corrosion resistance on gas, oil and solid fuel by Gastec, MPA and TÜV
- HETAS listed for use on solid fuel applications.



[ICID Plus
brochure](#) [Download](#)



[ICID Plus
installation
instructions](#) [Download](#)



[ICID
DWG
files](#) [Download](#)



[ICID DOPs
and
certificates](#) [Download](#)