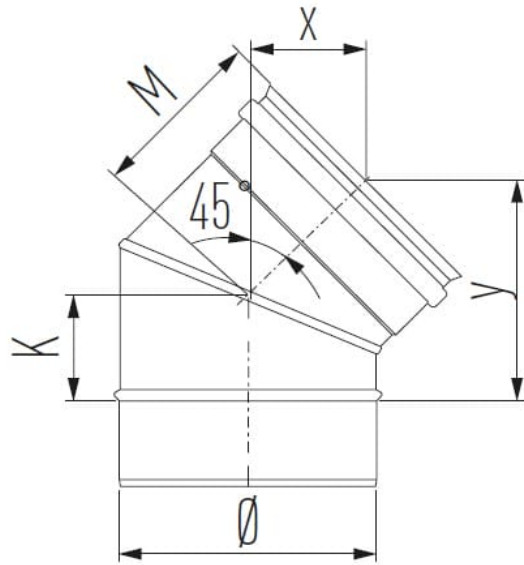




Elbow 45 Degree - MEB 45



Elbow 45 Degree - MEB 45 is part of the Schiedel ME range, which has a number of applications and advantages.

**APPLICATIONS**

- Shaft liner in renovation projects
- Air inlet & ventilation systems
- Flue system for condensing heaters and boilers
- Chimney renovation

**ADVANTAGES**

- Stress free thermal expansion
- Can be connected to MF flue system
- High quality stainless steel system
- High temperature silicone sealing ring
- Universal application
- Light weight system
- Chimney fire resistant

**VARIATIONS**

| SKU     | Int mm | K  | Mdia | X  | Y   | Price |
|---------|--------|----|------|----|-----|-------|
| 176420  | 080    | 35 | 80   | 55 | 90  |       |
| 176421  | 100    | 40 | 85   | 60 | 95  |       |
| 176,422 | 113    | 40 | 85   | 60 | 95  |       |
| 176423  | 130    | 45 | 90   | 60 | 105 |       |
| 176424  | 150    | 50 | 95   | 65 | 115 |       |
| 176425  | 180    | 55 | 100  | 70 | 125 |       |



| SKU    | Int mm | K   | Mdia | X   | Y   | Price |
|--------|--------|-----|------|-----|-----|-------|
| 176426 | 200    | 60  | 105  | 70  | 130 |       |
| 161010 | 250    | 70  | 115  | 80  | 150 |       |
| 161011 | 300    | 95  | 140  | 95  | 190 |       |
| 161012 | 350    | 95  | 140  | 95  | 190 |       |
| 161013 | 400    | 105 | 150  | 105 | 205 |       |
| 161014 | 450    | 130 | 205  | 145 | 275 |       |
| 161015 | 500    | 140 | 215  | 150 | 290 |       |
| 161016 | 600    | 160 | 235  | 165 | 326 |       |

## PRODUCT DESCRIPTION

**ME system is a modular single wall flue/chimney system, made of stainless steel with a silicone sealing ring.**

ME is a universal flue/chimney system which is suitable for both high and low temperatures, non-condensing and condensing applications with flue gasses under positive and negative pressure. It can resist a chimney fire.

Therefore the system is suitable for a wide range of applications such as boilers, stoves, ovens and a ventilation system. The system can also be used for CHP applications, in this case a special VITON® sealing ring might be necessary.

### Technical characteristics

|                            |  |
|----------------------------|--|
| Application                | System Chimney/Connecting Flue Pipe/Chimney Liner  |
| Operating mode             | Dry/wet  |
| Pressure                   | N1/P1/H1   |
| Max. working pressure      | 5000 Pa  |
| Max. operating temperature | 600°C (negative pressure - N1 applications) 200°C (positive pressure - P1/H1 applications)   |
| Soot Fire Resistant*       | Yes (see G designations below) No (see O designations below)   |
| Inner wall material        | AISI 316L/EN 1.4404  |
| Inner wall thickness       | Ø80 - Ø200: 0.4mm Ø250 - Ø300: 0.5mm Ø350: 0.6mm   |
| Fuel type                  | Oil/wood/coal/pellets normal (wood)/gas  |
| Sealant                    | Elastomer. (Where case flue gas temperatures exceed 200°C, sealants as well as the cap and door seals should be removed before installation) |

For stove and chimney installers – whenever you register an installation with our easy to use, online guarantee registration portal, you will now accrue points based on the number of installations. So [click here](#) to start and register your installations, taking full advantage of our Lifetime Guarantee on Flex and ICID, as well as guarantees on all our other ranges, and to start earning points

[ME International brochure](#)

[Click here](#) to view Certificates and Declarations of Performance



**CE approved | EN 1856-1: System Chimney**

T200 P1/H1 W V2 L50050 O30

**CE approved | EN 1856-2: Connecting Flue Pipe**

T200 P1/H1 W V2 L50050 O30 M

T600 N1 D V2 L50050 G400 M

**CE approved | EN1856-2: Chimney Liner**

T200 P1/H1 W V2 L50050 O

T600 N1 D V2 L50050 G

\* Above CE designations refer to Ø80-300 – For larger diameters please contact us.