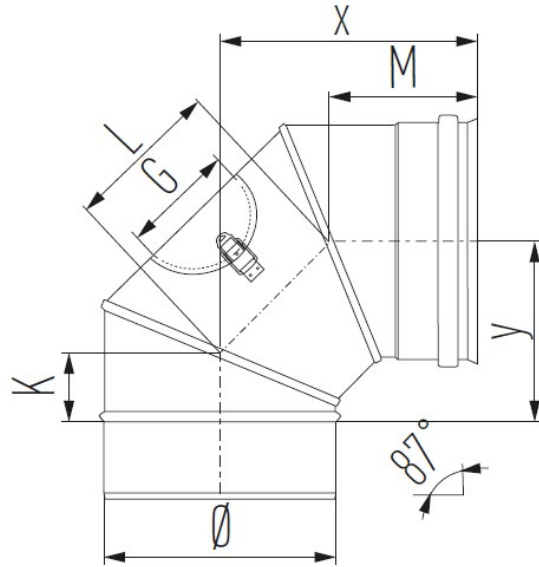




Elbow 87 Degree with inspection cover - MEBI 87 (T200 P1 Applications only)



Elbow 87 Degree + inspect.cover - MEBI 87 is part of the Schiedel ME range, which has a number of applications and advantages.

APPLICATIONS

- Shaft liner in renovation projects
- Air inlet & ventilation systems
- Flue system for condensing heaters and boilers
- Chimney renovation

ADVANTAGES

- Stress free thermal expansion
- Can be connected to MF flue system
- High quality stainless steel system
- High temperature silicone sealing ring
- Universal application
- Light weight system
- Chimney fire resistant

VARIATIONS

SKU	Int mm	L	G	K	Mdia	X	Y	Price
176445	080	100	65	35	80	150	105	
176446	100	105	100	40	85	160	115	
176447	113	115	100	40	85	165	120	
176448	130	115	130	45	90	170	125	
176449	150	125	140	50	95	185	140	
176450	180	145	140	55	100	200	160	



SKU	Int mm	L	G	K	Mdia	X	Y	Price
176451	200	165	140	60	105	220	175	
161066	250	185	180	70	115	245	200	
161067	300	210	180	95	140	290	245	
161068	350	210	180	95	140	290	245	
161069	400	230	240	105	150	310	270	

PRODUCT DESCRIPTION

ME system is a modular single wall flue/chimney system, made of stainless steel with a silicone sealing ring.

ME is a universal flue/chimney system which is suitable for both high and low temperatures, non-condensing and condensing applications with flue gasses under positive and negative pressure. It can resist a chimney fire.

Therefore the system is suitable for a wide range of applications such as boilers, stoves, ovens and a ventilation system. The system can also be used for CHP applications, in this case a special VITON® sealing ring might be necessary.

Technical characteristics

Application	System Chimney/Connecting Flue Pipe/Chimney Liner
Operating mode	Dry/wet
Pressure	N1/P1/H1
Max. working pressure	5000 Pa
Max. operating temperature	600°C (negative pressure - N1 applications) 200°C (positive pressure - P1/H1 applications)
Soot Fire Resistant*	Yes (see G designations below) No (see O designations below)
Inner wall material	AISI 316L/EN 1.4404
Inner wall thickness	Ø80 - Ø200: 0.4mm Ø250 - Ø300: 0.5mm Ø350: 0.6mm
Fuel type	Oil/wood/coal/pellets normal (wood)/gas
Sealant	Elastomer. (Where case flue gas temperatures exceed 200°C, sealants as well as the cap and door seals should be removed before installation)



For stove and chimney installers – whenever you register an installation with our easy to use, online guarantee registration portal, you will now accrue points based on the number of installations and installation type. So start to register your installations, taking full advantage of our Lifetime Guarantee on Flex and ICID, as well as guarantees on all our other ranges, and to start earning points



ME brochure [Download](#)



ME DWG files [Download](#)



ME DOPs and certificates [Download](#)

CE approved | EN 1856-1: System Chimney

T200 P1/H1 W V2 L50050 O30

CE approved | EN 1856-2: Connecting Flue Pipe

T200 P1/H1 W V2 L50050 O30 M
 T600 N1 D V2 L50050 G400 M

CE approved | EN1856-2: Chimney Liner

T200 P1/H1 W V2 L50050 O
 T600 N1 D V2 L50050 G

* Above CE designations refer to Ø80-300 – For larger diameters please contact us.