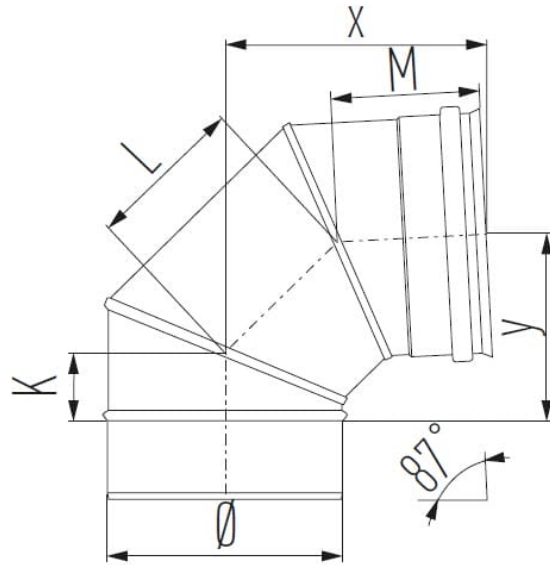




Elbow 87 Degree - MEB 87



Elbow 87 Degree - MEB 87 is part of the Schiedel ME range, which has a number of applications and advantages.

APPLICATIONS

- Shaft liner in renovation projects
- Air inlet & ventilation systems
- Flue system for condensing heaters and boilers
- Chimney renovation

ADVANTAGES

- Stress free thermal expansion
- Can be connected to MF flue system
- High quality stainless steel system
- High temperature silicone sealing ring
- Universal application
- Light weight system
- Chimney fire resistant

VARIATIONS

SKU	Int mm	L	K	Mdia	X	Y	Price
176427	80	100	35	80	150	105	
176428	100	105	40	85	160	115	
176429	113	115	40	85	165	120	
176430	130	115	45	90	170	125	
176431	150	125	50	95	185	140	
176432	180	145	55	100	200	160	
176433	200	165	60	105	220	175	



SKU	Int mm	L	K	Mdia	X	Y	Price
161024	250	185	70	115	245	200	
161025	300	210	95	140	290	245	
161026	350	210	95	140	290	245	
161027	400	230	105	150	310	270	
161028	450	300	130	205	420	345	

PRODUCT DESCRIPTION

ME system is a modular single wall flue/chimney system, made of stainless steel with a silicone sealing ring.

ME is a universal flue/chimney system which is suitable for both high and low temperatures, non-condensing and condensing applications with flue gasses under positive and negative pressure. It can resist a chimney fire.

Therefore the system is suitable for a wide range of applications such as boilers, stoves, ovens and a ventilation system. The system can also be used for CHP applications, in this case a special VITON® sealing ring might be necessary.

Technical characteristics

Application	System Chimney/Connecting Flue Pipe/Chimney Liner
Operating mode	Dry/wet
Pressure	N1/P1/H1
Max. working pressure	5000 Pa
Max. operating temperature	600°C (negative pressure - N1 applications) 200°C (positive pressure - P1/H1 applications)
Soot Fire Resistant*	Yes (see G designations below) No (see O designations below)
Inner wall material	AISI 316L/EN 1.4404
Inner wall thickness	Ø80 - Ø200: 0.4mm Ø250 - Ø300: 0.5mm Ø350: 0.6mm
Fuel type	Oil/wood/coal/pellets normal (wood)/gas
Sealant	Elastomer. (Where case flue gas temperatures exceed 200°C, sealants as well as the cap and door seals should be removed before installation)

For stove and chimney installers – whenever you register an installation with our easy to use, online guarantee registration portal, you will now accrue points based on the number of installations. So [click here](#) to start and register your installations, taking full advantage of our Lifetime Guarantee on Flex and ICID, as well as guarantees on all our other ranges, and to start earning points

[ME International brochure](#)

[Click here](#) to view Certificates and Declarations of Performance

CE approved | EN 1856-1: System Chimney

T200 P1/H1 W V2 L50050 O30



CE approved | EN 1856-2: Connecting Flue Pipe

T200 P1/H1 W V2 L50050 O30 M
T600 N1 D V2 L50050 G400 M

CE approved | EN1856-2: Chimney Liner

T200 P1/H1 W V2 L50050 O
T600 N1 D V2 L50050 G

* Above CE designations refer to Ø80-300 – For larger diameters please contact us.