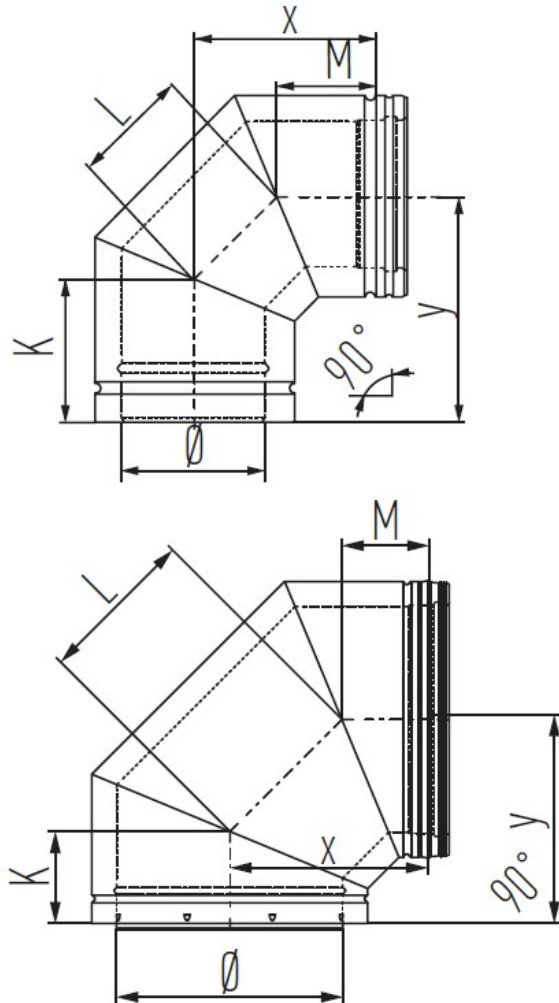




Elbow 90 Degree - MFB90



Elbow 90 Degree - MFB90 is part of our Bends range for our Schiedel MF system, which is a modular twin wall insulated flue/chimney system, made of stainless steel, with a sealing ring.

MF is a universal flue/chimney system that is suitable for both high and low temperatures, non-condensing and condensing applications with flue gasses in positive and negative pressure.

VARIATIONS

SKU	Int mm	K	L	Mdia	X	Y	Price
162103	100	90	105	50	125	165	
162104	130	95	115	55	135	175	
162105	150	100	125	60	150	190	
162106	180	105	140	65	165	205	
162107	200	110	145	70	175	215	
162108	250	120	165	80	200	235	



SKU	Int mm	K	L	Mdia	X	Y	Price
162109	300	145	185	105	235	275	
162110	350	145	205	105	250	290	
162111	400	155	225	115	275	315	
162112	450	175	255	175	355	355	
162113	500	185	275	185	380	380	
162114	600	205	320	205	435	435	

## PRODUCT DESCRIPTION

The Metaloterm® MF system is a modular twin-wall insulated flue/chimney system, made of stainless steel, with a sealing ring. Metaloterm® MF is a universal flue/chimney system that is suitable for both high and low temperatures, non-condensing and condensing applications with flue gasses in positive and negative pressure. It can resist a chimney fire.

Therefore the system is suited for a wide range of applications such as boilers, stoves and ovens. The product range also contains a wide variety of silencers. For Passive houses, the Metaloterm assortment provides the Iso-block which can be combined with MF. The system can also be used for CHP applications, in this case, a special VITON® sealing ring might be necessary.

Due to the proven quality, Metaloterm® MF has a 10-year guarantee.

## APPLICATIONS



- Atmospheric gas-fired boilers
- Condensing boilers
- Wood-fired stoves
- Industrial ovens, large-scale establishments

## ADVANTAGES

- Universal chimney/flue system
- Inner- and outer wall from high quality stainless steel
- No terminal bridges, uninterrupted insulation from base plate to top stub
- Stress free thermal expansion
- Fast-build system without the need of sealants
- Compatible with system Metaloterm® ME, UE and EN
- High density and high quality insulation
- High-temperature silicone sealing ring
- Lightweight elements
- Immediately ready for use
- Chimney fire resistant



For stove and chimney installers – whenever you register an installation with our easy to use, online guarantee registration portal, you will now accrue points based on the number of installations and installation type. So start to register your installations, taking full advantage of our Lifetime Guarantee on Flex and ICID, as well as guarantees on all our other ranges, and to start earning points



MF  
brochure [Download](#)



MF  
DWG  
files [Download](#)



MF DOPs  
and  
certificates [Download](#)

### CE approved | EN 1856-1

T200 P1/H1 W V2 L50040 O10

T450 N1 W V2 L50040 G60

T450 N1 D V3 L50040 G60 (Scenario 1: Combustible Floor & Combustible Enclosure)

T450 N1 W V2 L50040 G60

T450 N1 D V3 L50040 G50 (Scenario 2: Non combustible Floor and Non Combustible enclosure, or in Free Air)

### CE approved | EN 1856-2:

T200 P1/H1 W V2 L50040 O10 M

T450 N1 W V2 L50040 O40 M

T450 N1 D V3 L50040 G70 M



\* Above CE designations refer to Ø100-300 – For larger diameters refer to Schiedel Metaloterm website.

#### DECLARATION OF PERFORMANCE / FIRE RATING



MF DOPs  
and  
certificates

[Download](#)



**FREE Access to advanced CAD modelling files.**

Please visit our external BIM (Business Information Modelling) for access to advanced modelling files in a number of formats. Please note that you will have to register and login for access to the files.

[Click here to access our BIM files.](#)