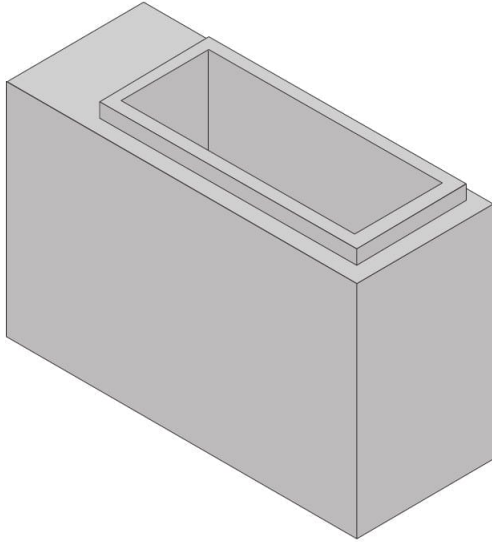




HP3 Block - Ceramic Liners



This product is part of the Schiedel range of Ceramic Flue Liners, which have been tested and approved to meet the latest European Standards and Construction Product Regulations (CPR) for both High Temperature and Low Temperature applications.

VARIATIONS

SKU	Price
137946	£10.25 ex. VAT

PRODUCT DESCRIPTION

Ceramic has a number of advantages.

The ceramic range of liners and accessories are a cost effective way of safely adding a chimney into an building development, or adding a chimney to an existing renovation.

Resistant to Thermal Shock - The liners are extremely durable and have been tested for resistance to soot fire as well as to condensate, and meet the latest CE standards and Construction Products Regulations (CPR).

Lightweight - Due to advanced manufacturing techniques, we have been able to reduce the wall thickness of the liner to produce the optimal lightweight but extremely robust product.

Smooth Inner Wall - The smooth inner liner allows gas, the product of combustion to freely exit the chimney. Straight lines ensure a consistent fill of insulation.

- **BIM object - Ceramic 200mm liner with an external brick chimney**
- **BIM object - Ceramic chimney system for an internal house**



For stove and chimney installers – whenever you register an installation with our easy to use, online guarantee registration portal, you will now accrue points based on the number of installations. So [click here](#) to start and register your installations, taking full advantage of our Lifetime Guarantee on Flex and ICID, as well as guarantees on all our other ranges, and to start earning points

A useful app with guides on installation as well as step-by-step video guides.

This app was designed for installers to have all the information they require in a few quick clicks. This makes it easier for installers rather than having to carry paperwork during the installation process with video breakdowns of each stage of the installation process.

Download the iPhone and iPad version in the App Store and Android version in the Google Play Store.



[Ceramic UK specific brochure](#)

[Ceramic \(overall\) brochure](#)

[Click here](#) to view Certificates and Declarations of Performance

Schiedel Ceramic Liners are CE Certified to EN 1457-1 & 2 TÜV 0780 CPD 131086 with the following designations:

High Temperature Applications

EN 1457-1
A1 N1 (T600 N1 G) EN 13063-1
T400 N1 D 3 G40 Ø160mm T400 N1 D 3 G50 Ø200mm

Low Temperature Applications

EN 1457-2
B4 N1 (T400 N1 WC O)
D4 N1 (T200 N1 WC O)*
EN 10363-2
T400 N1 W 2 O50
T200 N1 W 2 O00

High Temperature Applications – For Room Sealed appliances

EN 13063-3
T400 N1 D3 G40 Ø160mm T400 N1 D3 G50 Ø200mm

* When used on T200 rated low temperature systems, the liner system should be straight and fully ventilated.