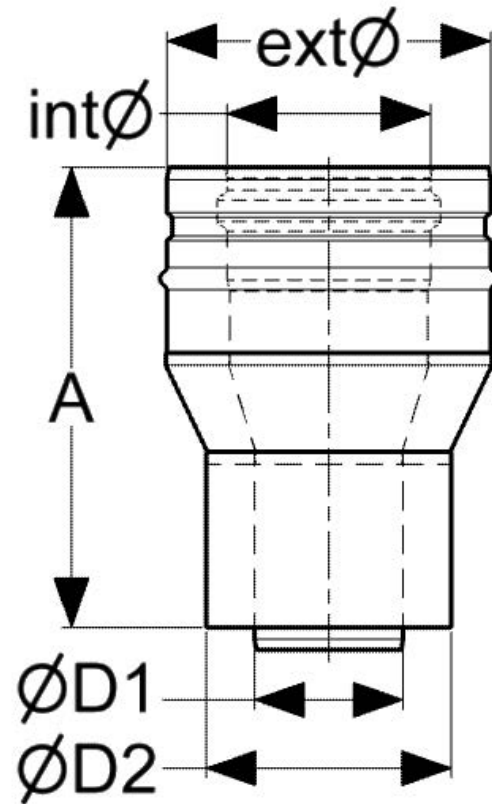




Increaser - UK Plus



UK Plus Concentric flue system is a modular, high quality stainless steel concentric flue system for balanced flue applications.

It is designed to operate with room sealed condensing or non-condensing gas or oil appliances in positive or negative pressure with continuous operating temperature up to 200 Degree C.

Without the seal it can be used on gas fires with a temperature rating of up to T600.

System properties

- Multi purpose concentric system in lightweight design
- Suitable for internal and external application
- Silicone gaskets ensure P1 pressure tightness
- With viton gaskets suitable also for oil appliances
- High quality engineered joints secured by locking bands
- Wide range of installer friendly accessories
- No thermal bridges

Application area

- Flue gas extraction and air supply of room-sealed appliances
- Condensing appliances
- Residential or commercial use



VARIATIONS

SKU	Int mm	Ext mm	A	OD1	OD2	Price
174378	080	130	185	60	99	
174371	100	150	185	80	130	

PRODUCT DESCRIPTION

UK Plus Concentric flue system is a modular, high-quality stainless steel concentric flue system for balanced flue applications.

It is designed to operate with room-sealed condensing or non-condensing gas or oil appliances in positive or negative pressure with continuous operating temperatures up to 200 Degrees C.

Without the seal, it can be used on gas fires with a temperature rating of up to T600.

System Properties

- Multi-purpose concentric system in lightweight design
- Suitable for internal and external application
- Silicone gaskets ensure P1 pressure tightness
- With Viton gaskets suitable also for oil appliances
- High-quality engineered joints secured by locking bands
- Wide range of installer-friendly accessories
- No thermal bridges

Application area

- Flue gas extraction and air supply of room-sealed appliances
- Condensing appliances
- Residential or commercial use.



For stove and chimney installers – whenever you register an installation with our easy to use, online guarantee registration portal, you will now accrue points based on the number of installations and installation type. So start to register your installations, taking full advantage of our Lifetime Guarantee on Flex and ICID, as well as guarantees on all our other ranges, and to start earning points

 UK Plus brochure Download	 UK Plus DOPs and certificates Download
---	--



[UK Plus
DOPs and
certificates](#) [Download](#)

EN 1856-1 System chimney CE Designation:

036 - CPR - 91236-057 Production: Teplice (CZ)

T200 - P1 - W - V2 - L50040 - O00

T200 - P1 - W - Vm - L20040 - O50

T600 - N1 - W - V2 - L50040 - O50

T600 - N1 - W - Vm - L20040 - O50

EN 1856-2 Connecting flue pipe CE Designation:

0036 - CPR - 91236-058 Production: Teplice (CZ)

T200 - P1 - W - V2 - L50040 - O30

T200 - P1 - W - Vm - L20040 - O30