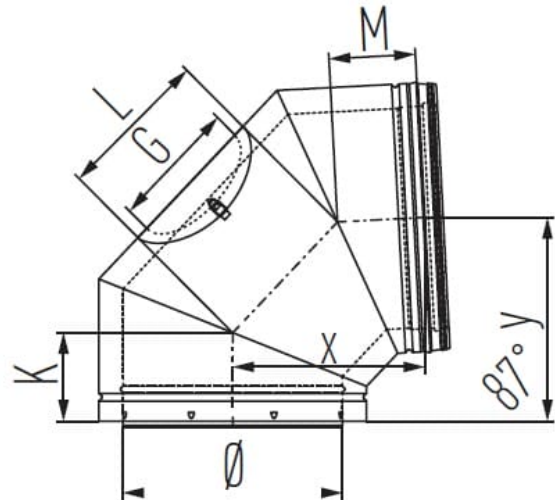
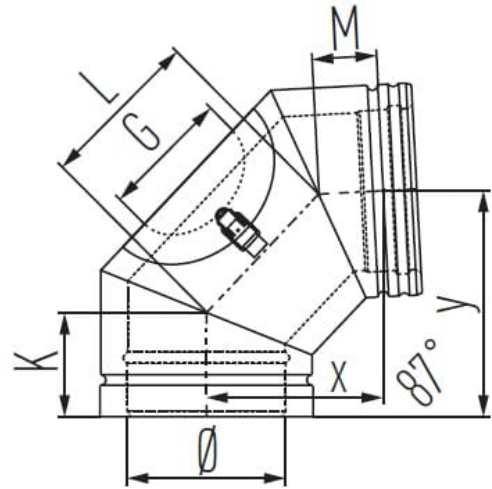




Inspection elbow 87 Degree - MFBI87



Inspection elbow 87 Degree - MFBI87 is part of our Bends range for our Schiedel MF system, which is a modular twin wall insulated flue/chimney system, made of stainless steel, with a sealing ring.

MF is a universal flue/chimney system that is suitable for both high and low temperatures, non-condensing and condensing applications with flue gasses in positive and negative pressure.

VARIATIONS

SKU	Int mm	G	K	L	Mdia	X	Y	Price
162115	100	100	85	130	55	145	175	
162116	130	130	90	160	55	170	205	
162117	150	190	95	155	60	170	205	
162118	180	190	100	140	70	170	200	



SKU	Int mm	G	K	L	Mdia	X	Y	Price
162119	200	140	110	145	70	170	215	
162120	250	180	115	165	80	195	230	
162121	300	180	140	185	110	240	270	
162122	350	180	145	200	110	250	290	
162123	400	240	150	220	120	275	310	
162124	450	240	175	300	175	385	385	
162125	500	240	185	320	185	410	410	
162126	600	240	210	370	205	465	465	

PRODUCT DESCRIPTION

The Metaloterm® MF system is a modular twin-wall insulated flue/chimney system, made of stainless steel, with a sealing ring. Metaloterm® MF is a universal flue/chimney system that is suitable for both high and low temperatures, non-condensing and condensing applications with flue gasses in positive and negative pressure. It can resist a chimney fire.

Therefore the system is suited for a wide range of applications such as boilers, stoves and ovens. The product range also contains a wide variety of silencers. For Passive houses, the Metaloterm assortment provides the Iso-block which can be combined with MF. The system can also be used for CHP applications, in this case, a special VITON® sealing ring might be necessary.

Due to the proven quality, Metaloterm® MF has a 10-year guarantee.



APPLICATIONS

- Atmospheric gas-fired boilers
- Condensing boilers
- Wood-fired stoves
- Industrial ovens, large-scale establishments

ADVANTAGES

- Universal chimney/flue system
- Inner- and outer wall from high quality stainless steel
- No terminal bridges, uninterrupted insulation from base plate to top stub
- Stress free thermal expansion
- Fast-build system without the need of sealants
- Compatible with system Metaloterm® ME, UE and EN
- High density and high quality insulation
- High-temperature silicone sealing ring
- Lightweight elements
- Immediately ready for use
- Chimney fire resistant

For stove and chimney installers – whenever you register an installation with our easy to use, online guarantee registration portal, you will now accrue points based on the number of installations. So [click here](#) to start and register your installations, taking full advantage of our Lifetime Guarantee on Flex and ICID, as well as guarantees on all our other ranges, and to start earning points

[MF brochure](#)

[Click here](#) to view Certificates and Declarations of Performance

CE approved | EN 1856-1

T200 P1/H1 W V2 L50040 O10

T450 N1 W V2 L50040 G60

T450 N1 D V3 L50040 G60 (Scenario 1: Combustible Floor & Combustible Enclosure)

T450 N1 W V2 L50040 G60

T450 N1 D V3 L50040 G50 (Scenario 2: Non combustible Floor and Non Combustible enclosure, or in Free Air)

CE approved | EN 1856-2:

T200 P1/H1 W V2 L50040 O10 M

T450 N1 W V2 L50040 O40 M

T450 N1 D V3 L50040 G70 M

* Above CE designations refer to Ø100-300 – For larger diameters refer to Schiedel Metaloterm website.

DECLARATION OF PERFORMANCE / FIRE RATING

FREE Access to advanced CAD modelling files.

Please visit our external BIM (Business Information Modelling) for access to advanced modelling files in a number of formats. Please note that you will have to register and login for access to the files.



SCHIEDEL CHIMNEY SYSTEMS LTD.
PRODUCT TECHNICAL DATA SHEET



[Click here to access our BIM files.](#)