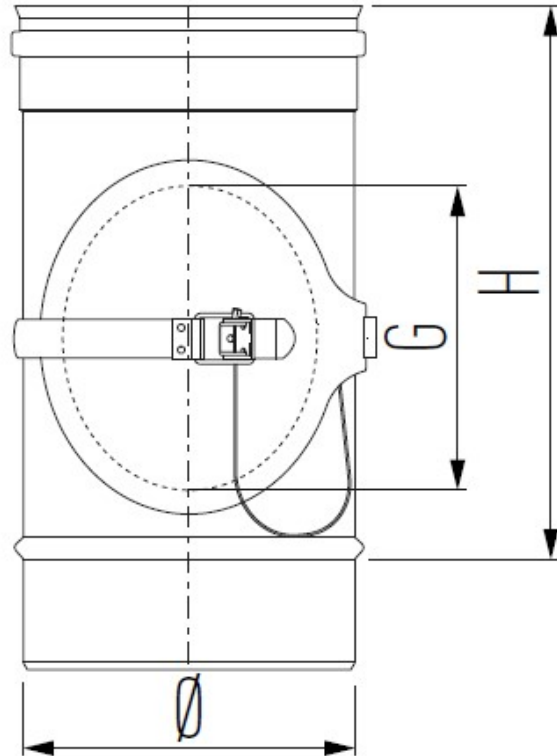




Inspection element - MEI



Inspection element - MEI is part of the Schiedel ME range, which has a number of applications and advantages.

APPLICATIONS

- Shaft liner in renovation projects
- Air inlet & ventilation systems
- Flue system for condensing heaters and boilers
- Chimney renovation

ADVANTAGES

- Stress free thermal expansion
- Can be connected to MF flue system
- High quality stainless steel system
- High temperature silicone sealing ring
- Universal application
- Light weight system
- Chimney fire resistant

VARIATIONS



SKU	Int mm	H	G	Price
161196	080	200	65	
161197	100	200	100	
161198	113	200	100	
161199	130	250	130	
161200	150	250	140	
161201	180	250	140	
161202	200	250	140	
161203	250	Any H	Any G	
161204	300	300	180	
161205	350	300	180	
161206	400	350	240	
161209	600	400	240	

PRODUCT DESCRIPTION

ME system is a modular single wall flue/chimney system, made of stainless steel with a silicone sealing ring.

ME is a universal flue/chimney system which is suitable for both high and low temperatures, non-condensing and condensing applications with flue gasses under positive and negative pressure. It can resist a chimney fire.

Therefore the system is suitable for a wide range of applications such as boilers, stoves, ovens and a ventilation system. The system can also be used for CHP applications, in this case a special VITON® sealing ring might be necessary.

Technical characteristics

Application	System Chimney/Connecting Flue Pipe/Chimney Liner
Operating mode	Dry/wet
Pressure	N1/P1/H1
Max. working pressure	5000 Pa
Max. operating temperature	600°C (negative pressure - N1 applications) 200°C (positive pressure - P1/H1 applications)
Soot Fire Resistant*	Yes (see G designations below) No (see O designations below)
Inner wall material	AISI 316L/EN 1.4404
Inner wall thickness	Ø80 - Ø200: 0.4mm Ø250 - Ø300: 0.5mm Ø350: 0.6mm
Fuel type	Oil/wood/coal/pellets normal (wood)/gas
Sealant	Elastomer. (Where case flue gas temperatures exceed 200°C, sealants as well as the cap and door seals should be removed before installation)



For stove and chimney installers – whenever you register an installation with our easy to use, online guarantee registration portal, you will now accrue points based on the number of installations and installation type. So start to register your installations, taking full advantage of our Lifetime Guarantee on Flex and ICID, as well as guarantees on all our other ranges, and to start earning points



ME
brochure [Download](#)



ME
DWG files [Download](#)



ME DOPs
and
certificates [Download](#)

CE approved | EN 1856-1: System Chimney

T200 P1/H1 W V2 L50050 O30

CE approved | EN 1856-2: Connecting Flue Pipe

T200 P1/H1 W V2 L50050 O30 M
T600 N1 D V2 L50050 G400 M

CE approved | EN1856-2: Chimney Liner

T200 P1/H1 W V2 L50050 O
T600 N1 D V2 L50050 G

* Above CE designations refer to Ø80-300 – For larger diameters please contact us.