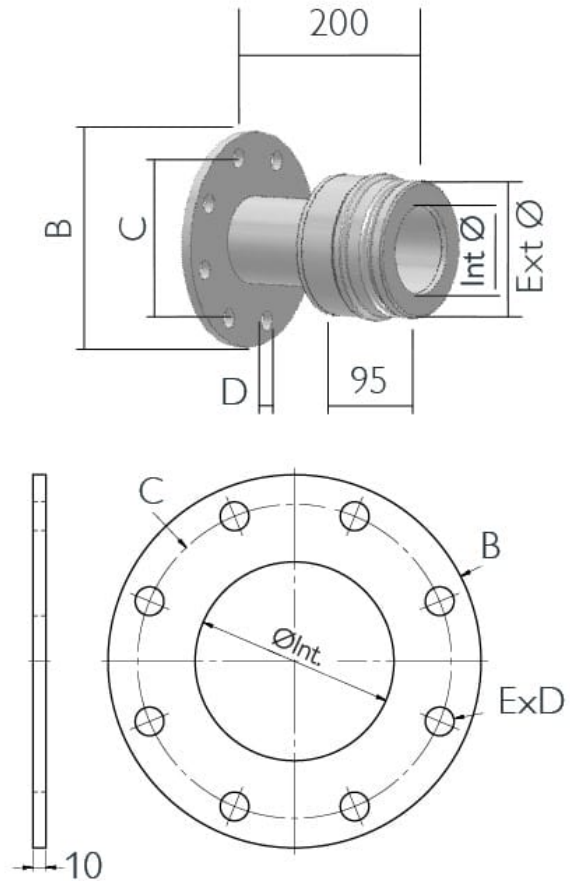




## Male Flanged Adaptor with 10mm Flange ICS25 - 5000



ICS 5000 is a multi-functional twin wall insulated venting system, which is suitable for internal and external use on a wide range of engineering, combustion and process equipment, including heating appliances, diesel generators, CHP systems and service ducting.

ICS 5000 comes with a high quality specification as standard with a 316L Grade Stainless steel liner, high performance mineral blanket insulation and a bright annealed 304 Grade stainless steel outer case.

Both liner and outer case have a continuous seam welded joint and each flue gas bearing component has a uniquely profiled spigot and socket joint with bevelled end forms to ensure ease of installation whilst ensuring the joint meets H1 performance criteria at 5000 Pa.

The thermal insulation blanket ensures continuous insulation over the entire effective length of the liner, ensuring fast priming to normal operating temperatures, whilst maintaining low external surface temperatures.


## PRODUCT DESCRIPTION

## PRODUCT FEATURES

- Engineered spigot and socket joint
- Pronounced lead in edge



- Quick and easy assembly
- Pressure gasket on outer case protected by insulation
- Continuous insulation avoids thermal bridging
- Inner liner free to expand and contract
- No requirement for expansion joints
- Lightweight
- No onsite welding or cutting required

 Schiedel is the first European chimney manufacturer to have performed the tests according to this latest fire resistance standard for chimneys. European standard BS EN 1366-13:2019 "Fire resistance tests for service installations, Part 13: Chimneys" and has reached EI 120 classification for our Double Wall Insulated System Chimney ICS in a closed scenario (type A) for both vertical and horizontal set-ups.

ICS 5000 is tested and approved in both 25mm and 50mm variants to BS EN 1856-1 as a System Chimney and to BS EN 1856-2 as a connecting flue pipe with the following designations

#### **System Chimney BS EN 1856-1 (TÜV 0036 CPR 9195 027)**

##### **ICS25 5000**

T600 H1 D V3 L50050 O75\* T200 H1 W V2 L50050 O50\*\*

##### **\*Distance to Combustibles**

\*Ø80-Ø300 distance - 75mm

\*Ø350-Ø450 distance - 112.5mm

\*Ø500- Ø600 distance - 150mm

\*\*Ø80-Ø200 distance - 50mm

##### **ICS50 5000**

T600 H1 D V3 L50050 O25\*

##### **\*Distance to Combustibles**

\*Ø80-Ø300 distance - 25mm

\*Ø350-Ø450 distance - 37.5mm

\*Ø500- Ø600 distance - 50mm

#### **Connecting Flue Pipe BS EN 1856-2 (TÜV 0036 CPR 9195 038)**

T600 H1 D V3 L50050 O100 M

#### **Connecting Flue Pipe BS EN 1856-2 (TÜV 0036 CPR 9195 036)**

T600 H1 D V3 L50050 O100 M

#### **EI 120 Fire rating to BS EN 1366-13 Chimneys**

ICS25 5000 and ICS50 5000: Horizontal and Vertical

#### **Corrosion testing on Gas, Oil, Solid Fuel (TÜV 0036 CPR 9195 027)**

Gastec, MPA, TÜV

[ICS 5000 brochure](#)

[ICS 5000 installation instructions](#)



SCHIEDEL CHIMNEY SYSTEMS LTD.  
PRODUCT TECHNICAL DATA SHEET



[Click here](#) to view Certificates and Declarations of Performance