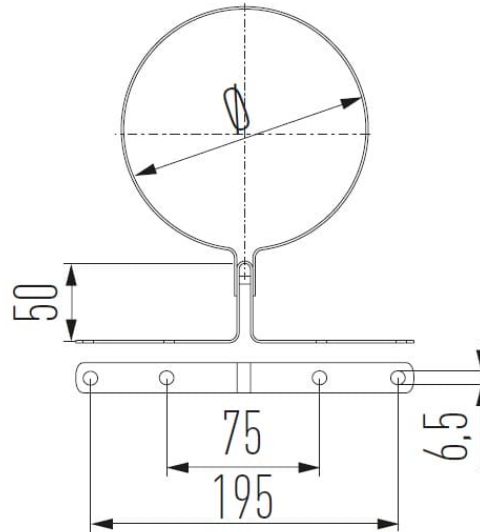




Mounting band - MEEB



Mounting band - MEEB is part of the Schiedel ME range, which has a number of applications and advantages.

**APPLICATIONS**

- Shaft liner in renovation projects
- Air inlet & ventilation systems
- Flue system for condensing heaters and boilers
- Chimney renovation

**ADVANTAGES**

- Stress free thermal expansion
- Can be connected to MF flue system
- High quality stainless steel system
- High temperature silicone sealing ring
- Universal application
- Light weight system
- Chimney fire resistant

**VARIATIONS**

SKU	Int mm	Colour	Price
161156	080	Plain	
161157	100	Plain	
164831	113	Plain	
161158	130	Plain	
161159	150	Plain	
161160	180	Plain	
161161	200	Plain	



SKU	Int mm	Colour	Price
161162	250	Plain	

## PRODUCT DESCRIPTION

**ME system is a modular single wall flue/chimney system, made of stainless steel with a silicone sealing ring.**

ME is a universal flue/chimney system which is suitable for both high and low temperatures, non-condensing and condensing applications with flue gasses under positive and negative pressure. It can resist a chimney fire.

Therefore the system is suitable for a wide range of applications such as boilers, stoves, ovens and a ventilation system. The system can also be used for CHP applications, in this case a special VITON® sealing ring might be necessary.

### Technical characteristics

Application	System Chimney/Connecting Flue Pipe/Chimney Liner
Operating mode	Dry/wet
Pressure	N1/P1/H1
Max. working pressure	5000 Pa
Max. operating temperature	600°C (negative pressure - N1 applications) 200°C (positive pressure - P1/H1 applications)
Soot Fire Resistant*	Yes (see G designations below) No (see O designations below)
Inner wall material	AISI 316L/EN 1.4404
Inner wall thickness	Ø80 - Ø200: 0.4mm Ø250 - Ø300: 0.5mm Ø350: 0.6mm
Fuel type	Oil/wood/coal/pellets normal (wood)/gas
Sealant	Elastomer. (Where case flue gas temperatures exceed 200°C, sealants as well as the cap and door seals should be removed before installation)

For stove and chimney installers – whenever you register an installation with our easy to use, online guarantee registration portal, you will now accrue points based on the number of installations. So [click here](#) to start and register your installations, taking full advantage of our Lifetime Guarantee on Flex and ICID, as well as guarantees on all our other ranges, and to start earning points

[ME International brochure](#)

[Click here](#) to view Certificates and Declarations of Performance

### CE approved | EN 1856-1: System Chimney

T200 P1/H1 W V2 L50050 O30

### CE approved | EN 1856-2: Connecting Flue Pipe

T200 P1/H1 W V2 L50050 O30 M

T600 N1 D V2 L50050 G400 M



**CE approved | EN1856-2: Chimney Liner**

T200 P1/H1 W V2 L50050 O

T600 N1 D V2 L50050 G

\* Above CE designations refer to Ø80-300 – For larger diameters please contact us.