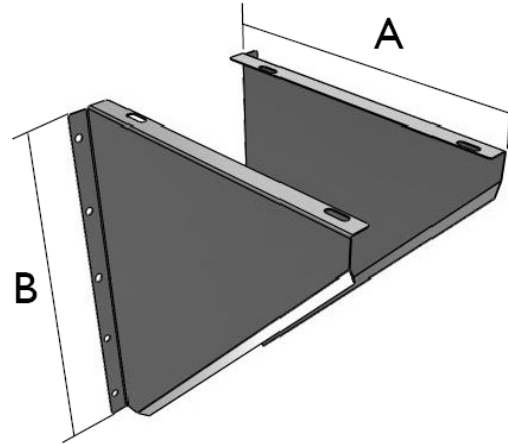
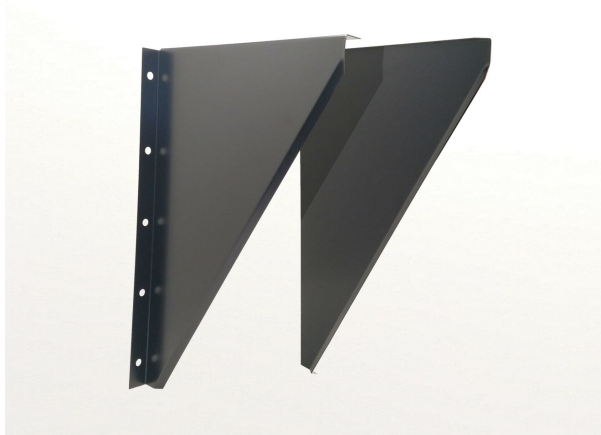




Side plates - Perimeter Smooth



Schiedel PERMETER SMOOTH, the advanced double-wall system that is designed with installers in mind.

The simple push-fit connection means that locking bands are not required, which improves both style and functionality.

There is no need for any thermal insulation or on-site welding work, as Perimeter Smooth comes with all the accessory range needed for internal and external installations.

**PERMETER SMOOTH PRODUCT FEATURES**

- Locking bands not required
- Corrosion resistant stainless steel
- Painted black
- Dense, superwool insulation
- Full range of accessories
- Up to 1200 °C heat resistant

**EASY TO FIT AND ADDITIONAL SAFETY**

Perimeter Smooth features a distinctive SuperWool insulation that maintains its properties even under extreme temperatures, reaching up to 1200°C. Perimeter Smooth's thermal expansion capability of up to 18mm ensures that it retains its structural integrity

**VARIATIONS**

SKU	INTØ	EXTØ	A	B	Price
115369	130	180	310	470	
115774	150	200	365	470	
115977	180	230	315	470	
116178	200	250	345	470	



## PRODUCT DESCRIPTION

Specification	Data
Fuel type	Wood only
Diameter (internal)	130-200
Diameter (external)	180-250
Wall thickness (internal)	0.5mm
Insulation thickness per diameter	25mm
Weight per diameter (kg/m)	5.8 kg /m - 8.4 kg/m
Outer case thickness	0.6mm
Flue gas temp (dry)	450°C
Inner liner material:	high grade stainless steel liner 444 : 1.4521
Outer case material:	Painted black (RAL 9005)
Insulation type:	Superwool blanket
Thermal expansion	18mm
Max. length free standing:	2.0 m above the last support
Max. support spacing	3.0 m
Average thermal resistance (200°C)	0.37m <sup>2</sup> k/W

## CORROSION RESISTANCE

Chimneys are subject to significant corrosion attack by flue gas condensates, particularly from solid fuel. Permeter Smooth is specifically designed and manufactured to resist this corrosion.

## CHIMNEY DIAMETER

The chimney size should be as recommended by the appliance manufacturer. Where there is a requirement for a flue diameter smaller than the appliance spigot, then the operational requirements of the appliance and the configuration of the flue must satisfy the flue sizing requirements of EN13384-1 for single appliances, and EN13384-2 for multi appliances.

[Permeter Smooth brochure](#)

[Permeter Smooth installation instructions](#)

For stove and chimney installers – whenever you register an installation with our easy to use, online guarantee registration portal, you will now accrue points based on the number of installations. So [click here](#) to start and register your installations, taking full advantage of our Lifetime Guarantee on Flex and ICID, as well as guarantees on all our other ranges, and to start earning points

Permeter Smooth is CE Certified to EN 1856-1:2009 with designations:

- T450 N1 D V2 L99050 G60 – System chimney (Ø130 & 150mm)
- T450 N1 D V2 L99050 G75 – System chimney (Ø180 & 200mm)

Warranty is 10 years,

**FREE Access to advanced CAD modelling files.**



Please visit our external BIM (Business Information Modelling) for access to advanced modelling files in a number of formats. Please note that you will have to register and login for access to the files.

[Click here to access our BIM files.](#)