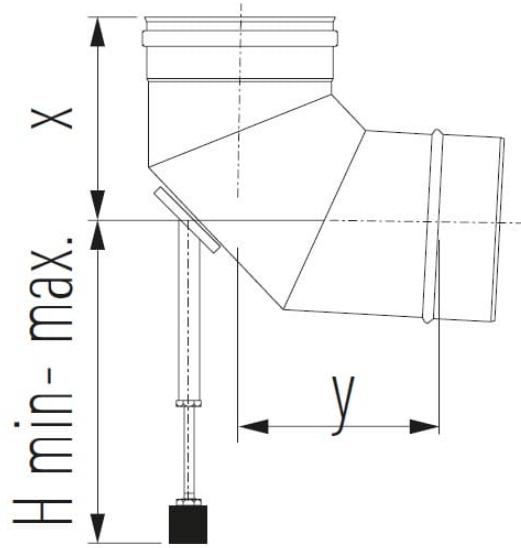




Support with elbow 87 Degree - MEBBS



Support with elbow 87 Degree - MEBBS is part of the Schiedel ME range, which has a number of applications and advantages.

#### APPLICATIONS

- Shaft liner in renovation projects
- Air inlet & ventilation systems
- Flue system for condensing heaters and boilers
- Chimney renovation

#### ADVANTAGES

- Stress free thermal expansion
- Can be connected to MF flue system
- High quality stainless steel system
- High temperature silicone sealing ring
- Universal application
- Light weight system
- Chimney fire resistant

#### VARIATIONS

SKU	Int mm	X	Y	H min	H max	Price
161045	200	220	175	210	235	
161046	250	245	200	210	235	
161047	300	290	245	210	235	
161048	350	290	245	210	235	



## PRODUCT DESCRIPTION

**ME system is a modular single wall flue/chimney system, made of stainless steel with a silicone sealing ring.**

ME is a universal flue/chimney system which is suitable for both high and low temperatures, non-condensing and condensing applications with flue gasses under positive and negative pressure. It can resist a chimney fire.

Therefore the system is suitable for a wide range of applications such as boilers, stoves, ovens and a ventilation system. The system can also be used for CHP applications, in this case a special VITON® sealing ring might be necessary.

### Technical characteristics

Application	System Chimney/Connecting Flue Pipe/Chimney Liner
Operating mode	Dry/wet
Pressure	N1/P1/H1
Max. working pressure	5000 Pa
Max. operating temperature	600°C (negative pressure - N1 applications) 200°C (positive pressure - P1/H1 applications)
Soot Fire Resistant*	Yes (see G designations below) No (see O designations below)
Inner wall material	AISI 316L/EN 1.4404
Inner wall thickness	Ø80 - Ø200: 0.4mm Ø250 - Ø300: 0.5mm Ø350: 0.6mm
Fuel type	Oil/wood/coal/pellets normal (wood)/gas
Sealant	Elastomer. (Where case flue gas temperatures exceed 200°C, sealants as well as the cap and door seals should be removed before installation)

For stove and chimney installers – whenever you register an installation with our easy to use, online guarantee registration portal, you will now accrue points based on the number of installations. So [click here](#) to start and register your installations, taking full advantage of our Lifetime Guarantee on Flex and ICID, as well as guarantees on all our other ranges, and to start earning points

### ME International brochure

[Click here](#) to view Certificates and Declarations of Performance

### CE approved | EN 1856-1: System Chimney

T200 P1/H1 W V2 L50050 O30

### CE approved | EN 1856-2: Connecting Flue Pipe

T200 P1/H1 W V2 L50050 O30 M  
T600 N1 D V2 L50050 G400 M

### CE approved | EN1856-2: Chimney Liner

T200 P1/H1 W V2 L50050 O  
T600 N1 D V2 L50050 G



SCHIEDEL CHIMNEY SYSTEMS LTD.  
PRODUCT TECHNICAL DATA SHEET



\* Above CE designations refer to Ø80-300 – For larger diameters please contact us.