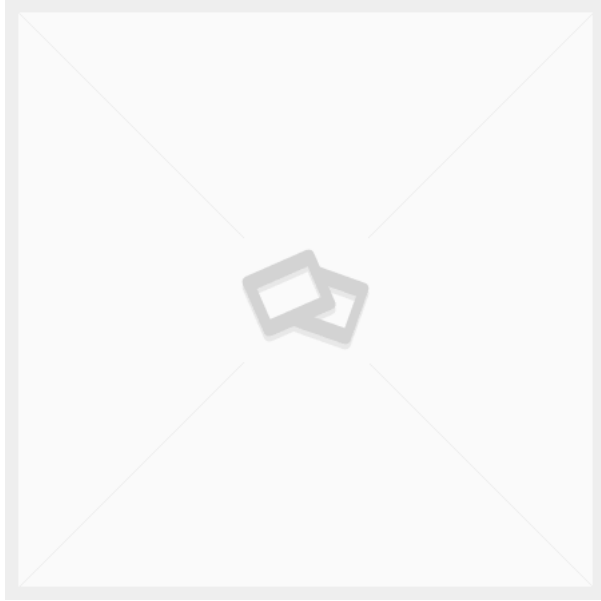





Square Support Ventilated



PRODUCT DESCRIPTION

SuppPltSqVent100 150/2pc/3,0/-/GV/PMSA25	4,950 KG	173120	4049723643565	PM S- Air 25	DW	Steel	06.02.2023	31.12.9999	1 PCE	207.98
---	-------------	--------	---------------	-----------------	----	-------	------------	------------	----------	--------

 SG DOPs and certificates Download	Stove name:	Sargas 1 and Sargas 3
	Standard:	EN 13240 RRF - 40 17 4674
	Rated	6.2 kW
output:		
Efficiency:	81 %	
Emissions:	CO2 (at 13% O2) 1125 mg/m3	
Emissions:	dust 6 mg/m3	
Flue gas temperature:	327 °C	
Negative pressure in the chimney:	12 Pa	
Weight (depends on the stove type)	approx.100 kg	



Stove dimensions

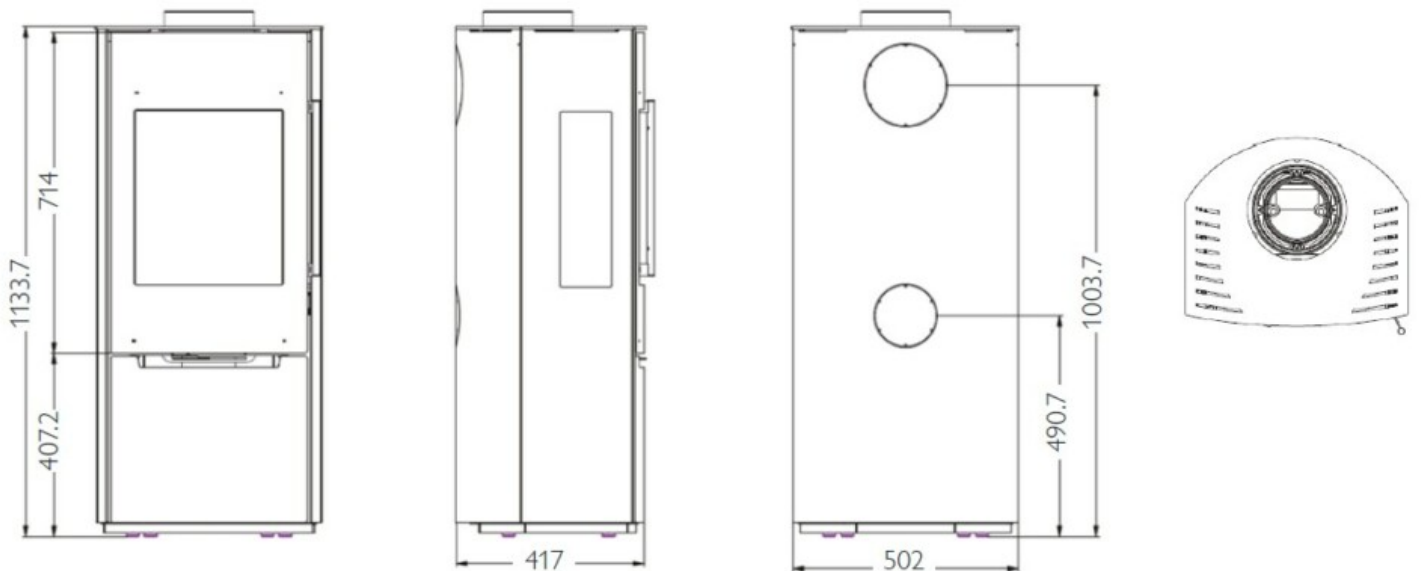
W x D x H 526 mm x 417 mm x 1133,7 mm

Minimum distance
from combustible materials

Model 1 front 1200 mm / sides 100 mm and back 70 mm
Model 3 front 1200 mm / sides 400 mm and back 50 mm

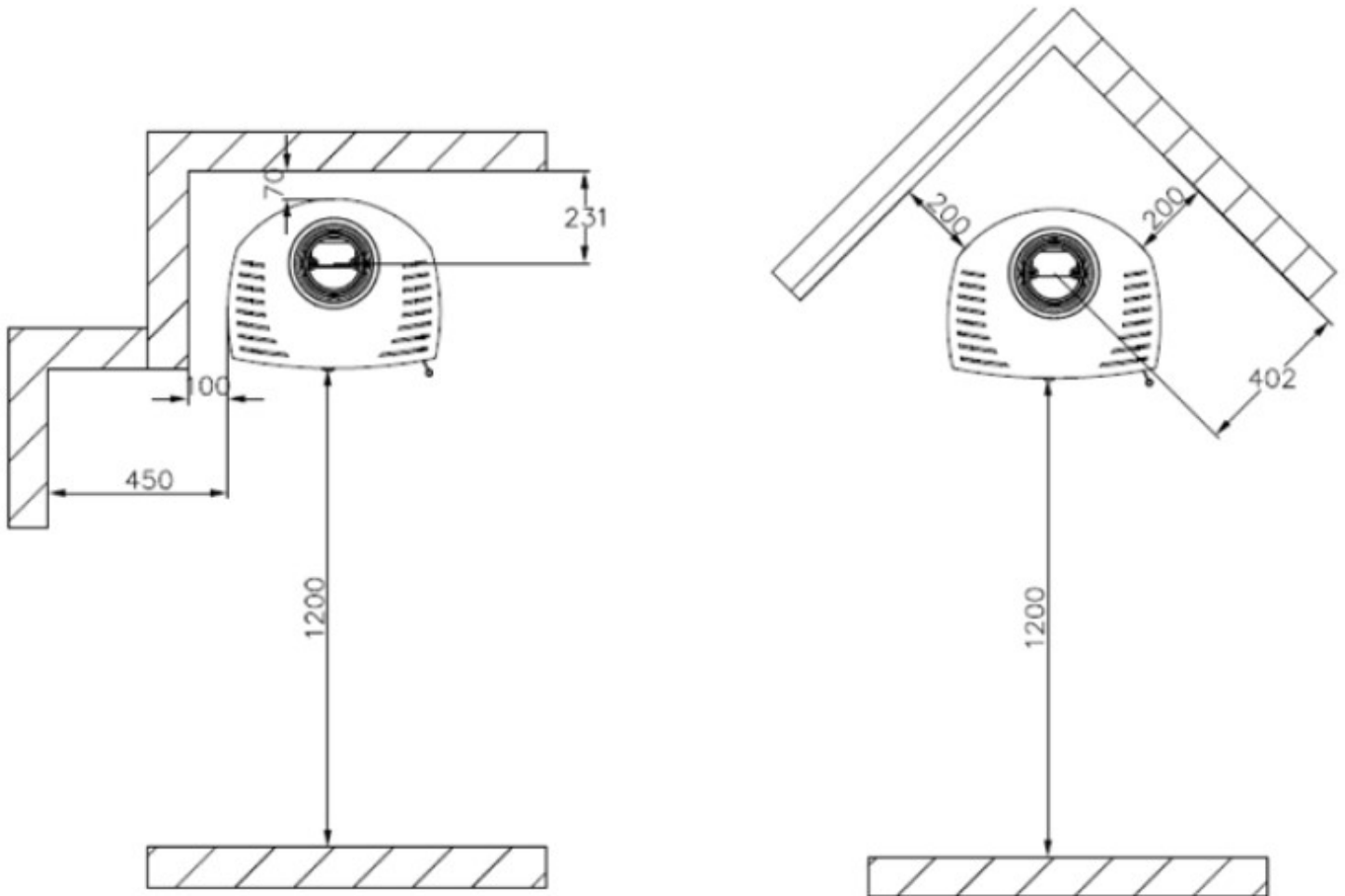
Allowed fuel consumption

2 kg/h



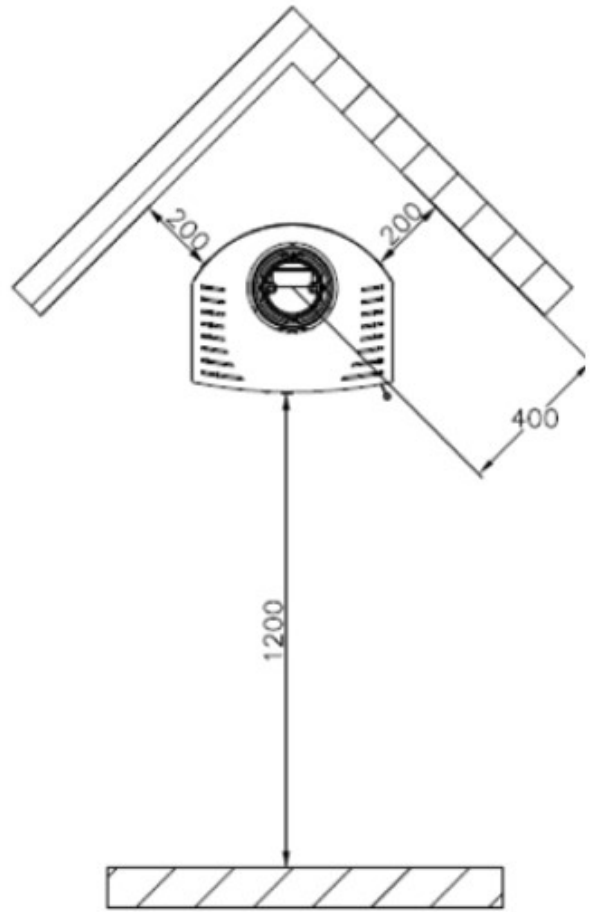
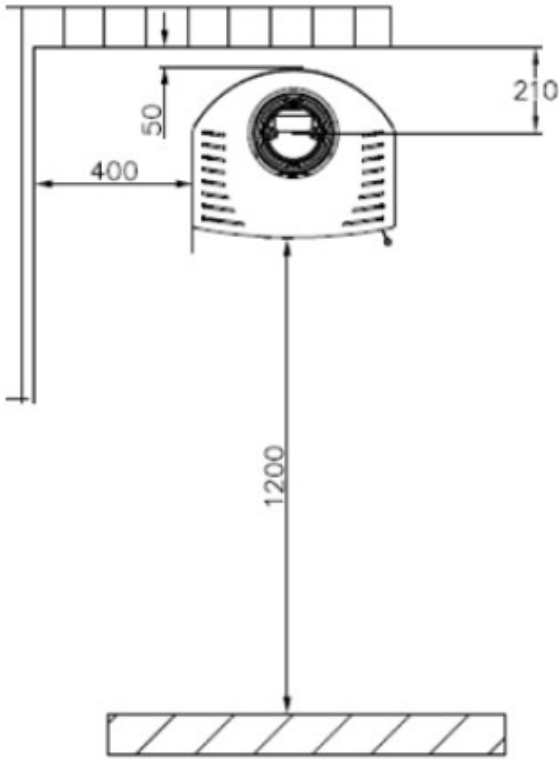
SARGAS 1 (EN 13240)

Rear:	70 mm
Sides:	100 mm
Floor:	0 mm
Distance from glass front:	1200 mm
Distance from superimposed hearth	225mm



SARGAS 3 (EN 13240)

Rear:	50 mm
Sides:	400 mm
Floor:	0 mm
Distance from glass front:	1200 mm
Distance from superimposed hearth	225mm



[SG stove 1/3 brochure](#) [Download](#)



[SG stove 1/3 operating instructions](#) [Download](#)

Type post code or city. Press ENTER

Radius: 20mi

