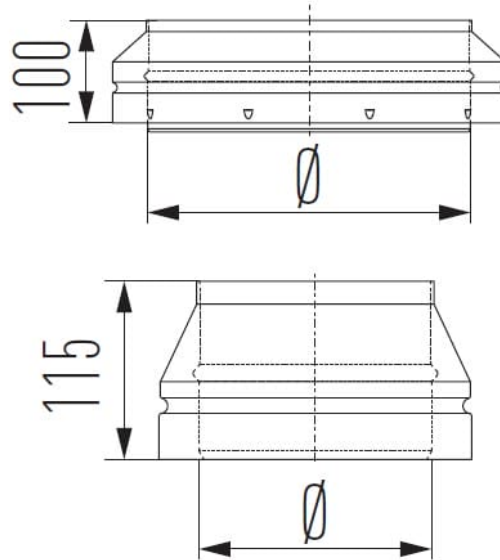




## Top stub - MFMA



The Metaloterm® MF system is a modular twin wall insulated flue/chimney system, made of stainless steel, with a sealing ring. Metaloterm® MF is a universal flue/chimney system which is suitable for both high and low temperatures, non-condensing and condensing applications with flue gasses in positive and negative pressure. It can resist a chimney fire. Therefore the system is suited for a wide range of applications such as boilers, stoves and ovens. The product range also contains a wide variety of silencers. For Passive houses the Metaloterm assortment provides the Iso-block which can be combined with MF. The system can also be used for CHP applications, in this case a special VITON® sealing ring might be necessary. Due to the proven quality Metaloterm® MF has a 10 year guarantee.

**APPLICATIONS**

- Atmospheric gas-fired boilers
- Condensing boilers
- Wood-fired stoves
- Industrial ovens, large-scale establishments

**ADVANTAGES**

- Universal chimney/flue system
- Inner- and outer wall from high quality stainless steel
- No terminal bridges, uninterrupted insulation from base plate to top stub
- Stress free thermal expansion
- Fast-build system without the need of sealants
- Compatible with system Metaloterm® ME, UE and EN
- High density and high quality insulation
- High-temperature silicone sealing ring
- Lightweight elements
- Immediately ready for use
- Chimney fire resistant

**VARIATIONS**



SKU	Int mm	Colour	Ext mm	H	Price
162505	100	Any Colour	Any Ext mm	115	
162506	130	Any Colour	Any Ext mm	115	
162507	150	Any Colour	Any Ext mm	115	
162508	180	Any Colour	Any Ext mm	115	
162509	200	Any Colour	Any Ext mm	115	
162510	250	Any Colour	Any Ext mm	115	
162511	300	Any Colour	Any Ext mm	115	
162512	350	Any Colour	Any Ext mm	115	
162513	400	Any Colour	Any Ext mm	115	
162514	450	Any Colour	Any Ext mm	100	
162515	500	Any Colour	Any Ext mm	100	
162516	600	Any Colour	Any Ext mm	100	

## PRODUCT DESCRIPTION

The Metaloterm® MF system is a modular twin-wall insulated flue/chimney system, made of stainless steel, with a sealing ring. Metaloterm® MF is a universal flue/chimney system that is suitable for both high and low temperatures, non-condensing and condensing applications with flue gasses in positive and negative pressure. It can resist a chimney fire.



Therefore the system is suited for a wide range of applications such as boilers, stoves and ovens. The product range also contains a wide variety of silencers. For Passive houses, the Metaloterm assortment provides the Iso-block which can be combined with MF. The system can also be used for CHP applications, in this case, a special VITON® sealing ring might be necessary.

Due to the proven quality, Metaloterm® MF has a 10-year guarantee.

## APPLICATIONS

- Atmospheric gas-fired boilers
- Condensing boilers
- Wood-fired stoves
- Industrial ovens, large-scale establishments

## ADVANTAGES

- Universal chimney/flue system
- Inner- and outer wall from high quality stainless steel
- No terminal bridges, uninterrupted insulation from base plate to top stub
- Stress free thermal expansion
- Fast-build system without the need of sealants
- Compatible with system Metaloterm® ME, UE and EN
- High density and high quality insulation
- High-temperature silicone sealing ring
- Lightweight elements
- Immediately ready for use
- Chimney fire resistant

For stove and chimney installers – whenever you register an installation with our easy to use, online guarantee registration portal, you will now accrue points based on the number of installations. So [click here](#) to start and register your installations, taking full advantage of our Lifetime Guarantee on Flex and ICID, as well as guarantees on all our other ranges, and to start earning points

[MF brochure](#)

[Click here](#) to view Certificates and Declarations of Performance

### CE approved | EN 1856-1

T200 P1/H1 W V2 L50040 O10  
T450 N1 W V2 L50040 G60  
T450 N1 D V3 L50040 G60 (Scenario 1: Combustible Floor & Combustible Enclosure)  
T450 N1 W V2 L50040 G60  
T450 N1 D V3 L50040 G50 (Scenario 2: Non combustible Floor and Non Combustible enclosure, or in Free Air)

### CE approved | EN 1856-2:

T200 P1/H1 W V2 L50040 O10 M  
T450 N1 W V2 L50040 O40 M  
T450 N1 D V3 L50040 G70 M

\* Above CE designations refer to Ø100-300 – For larger diameters refer to Schiedel Metaloterm website.

## DECLARATION OF PERFORMANCE / FIRE RATING



**FREE Access to advanced CAD modelling files.**

Please visit our external BIM (Business Information Modelling) for access to advanced modelling files in a number of formats. Please note that you will have to register and login for access to the files.

**[Click here to access our BIM files.](#)**