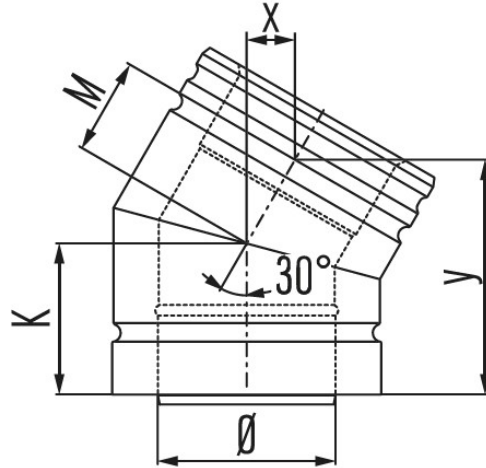




## USB 30 BEND 30 deg



This component is part of the US flue system. US is a concentric system suitable for high temperature, non-condensing applications with flue gases in negative pressure.

With the US range, both wall and roof terminals are available. The system has easy assembly with lightweight elements. The wide product range offers solutions for virtually all situations and it is tested in combination with many appliances according to EN 613.

## VARIATIONS

SKU	Int mm	K	M att	X	Y	Price
163725	100	85	55	30	135	
163726	130	95	65	35	150	

## PRODUCT DESCRIPTION

The US system is a modular concentric balanced flue system, made of stainless steel which combines air inlet and flue.

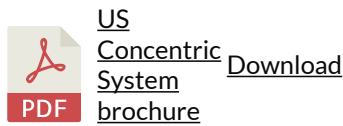
US is suitable for high temperature, non-condensing applications with flue gases in negative pressure. It can be applied on all types of balanced flue gas-fired stoves (class C11 and (231). Advantages include:

- Appliance adaptors manufactured on specification.
- Both wall and roof terminals available.
- Easy assembly with lightweight elements.
- Wide product range offers solutions for virtually all situations.
- Tested in combination with many appliances according to EN 613.



Technical characteristics

Application		Balanced flue
Operating mode		Dry
Pressure		Negative pressure
Max. working pressure		0 Pa
Operating temperature		600°O
Max. temperature allowed		600°C
Inner wall	material	AISI 304/EN 1.4301
	thickness	0.4 mm
Outer wall	material	AISI 304/EN 1.4301
	thickness	0.4 mm
Fuel type		Gas
Chimney diameter		
Inner diameter (mm)	100	130
Outer diameter (mm)	150	200
Cross section (cm2)	79	133
Weight (±kg/m)	2.5	4.0
CE approved		
EN 1856-1: T450 N1 D V2 L20040 050, T450 N1 D V2 L20040 050		
EN 1856-2: T450 N1 D V2 L20040 050, T450 N1 D V2 L20040 050		



US Concentric System brochure [Download](#)



US DOPs and certificates [Download](#)

US is CE approved to EN 1856-1: T450 N1 D V2 L20040 050, T450 N1 D V2 L20040 050  
US is CE approved to EN 1856-2: T450 N1 D V2 L20040 050, T450 N1 D V2 L20040 050

Technical characteristics

Application		Balanced flue
Operating mode		Dry
Pressure		Negative pressure
Max. working pressure		0 Pa
Operating temperature		600°O



Max. temperature allowed		600°C
Inner wall	material	AISI 304/EN 1.4301
	thickness	0.4 mm
Outer wall	material	AISI 304/EN 1.4301
	thickness	0.4 mm
Fuel type		Gas
Chimney diameter		
Inner diameter (mm)	100	130
Outer diameter (mm)	150	200
Cross section (cm <sup>2</sup> )	79	133
Weight (±kg/m)	2.5	4.0