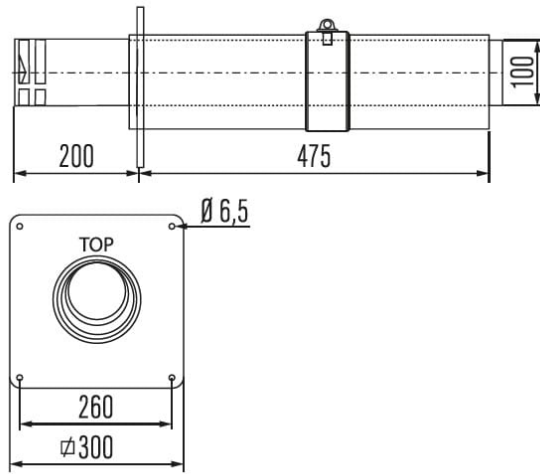




USDHC210 Horizontal terminal with large wall cover and band



**VARIATIONS**

SKU	Int mm	Length	Price
163793	100	690	

[US brochure](#)

[Click here to view Certificates and Declarations of Performance](#)

US is CE approved to EN 1856-1: T450 N1 D V2 L20040 050, T450 N1 D V2 L20040 050  
 US is CE approved to EN 1856-2: T450 N1 D V2 L20040 050, T450 N1 D V2 L20040 050

Technical characteristics			
Application			Balanced flue
Operating mode			Dry
Pressure			Negative pressure
Max. working pressure			0 Pa
Operating temperature			600°O
Max. temperature allowed			600°C
Inner wall	material		AISI 304/EN 1.4301
	thickness		0.4 mm
Outer wall	material		AISI 304/EN 1.4301
	thickness		0.4 mm
Fuel type			Gas
Chimney diameter			
Inner diameter (mm)	100		130
Outer diameter (mm)	150		200
Cross section (cm <sup>2</sup> )	79		133
Weight (±kg/m)	2.5		4.0

