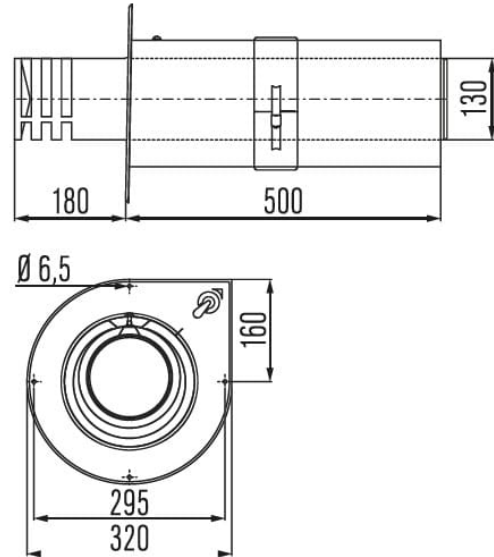




USDHC413 Horizontal terminal raindrop and band



VARIATIONS

SKU	Int mm	Length	Price
163798	130	690	

[US brochure](#)

[Click here to view Certificates and Declarations of Performance](#)

US is CE approved to EN 1856-1: T450 N1 D V2 L20040 050, T450 N1 D V2 L20040 050
 US is CE approved to EN 1856-2: T450 N1 D V2 L20040 050, T450 N1 D V2 L20040 050

Technical characteristics

Application		Balanced flue
Operating mode		Dry
Pressure		Negative pressure
Max. working pressure		0 Pa
Operating temperature		600°O
Max. temperature allowed		600°C
Inner wall	material	AISI 304/EN 1.4301
	thickness	0.4 mm
Outer wall	material	AISI 304/EN 1.4301
	thickness	0.4 mm
Fuel type		Gas
Chimney diameter		
Inner diameter (mm)	100	130
Outer diameter (mm)	150	200



SCHIEDEL CHIMNEY SYSTEMS LTD.
PRODUCT TECHNICAL DATA SHEET



Cross section (cm ²)	79	133
Weight (±kg/m)	2.5	4.0