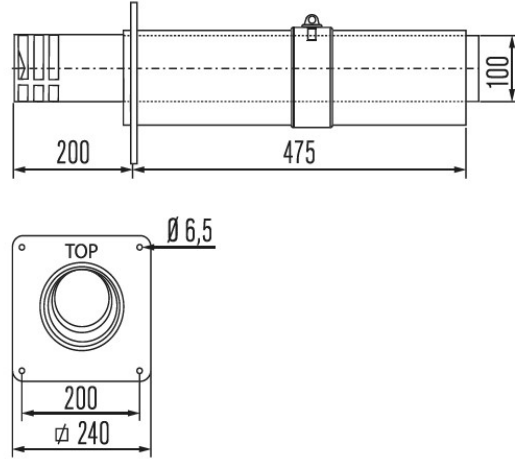





USDHC510 Horizontal terminal excentric with band



VARIATIONS

SKU	Int mm	Length	Price
163800	100	670	


[US Concentric System brochure](#) [Download](#)


[US DOPs and certificates](#) [Download](#)

US is CE approved to EN 1856-1: T450 N1 D V2 L20040 050, T450 N1 D V2 L20040 050
US is CE approved to EN 1856-2: T450 N1 D V2 L20040 050, T450 N1 D V2 L20040 050

Technical characteristics

Application	Balanced flue
Operating mode	Dry
Pressure	Negative pressure
Max. working pressure	0 Pa
Operating temperature	600°O
Max. temperature allowed	600°C



Inner wall	material	AISI 304/EN 1.4301
	thickness	0.4 mm
Outer wall	material	AISI 304/EN 1.4301
	thickness	0.4 mm
Fuel type		Gas
Chimney diameter		
Inner diameter (mm)	100	130
Outer diameter (mm)	150	200
Cross section (cm ²)	79	133
Weight (±kg/m)	2.5	4.0