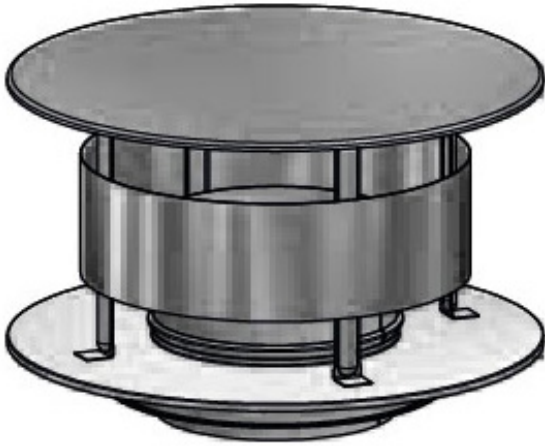





Vantage Terminals - raincaps and top stubs



Stocks available. Please contact us on 0191 4161150 or email sales.uk@schiedel.com to purchase this product. List pricing is shown below.

Download the brochure for dimensions and other details.

	Vantage Twin Wall Flue Download	1 6 5 5 7	RAINCAP 125/145/0.5/316/BA/EX	
5	165576	RAINCAP 125/145/0.5/316/BLACK/EX	50.70	
165577	RAINCAP 150/165/0.5/316/BA/EX	40.87		



165578	RAINCAP 150/165/0.5/316/BLACK/EX	51.08
165579	RAINCAP 175/200/0.5/316/BA/EX	45.27
165580	RAINCAP 175/200/0.5/316/BLACK/EX	56.58
165581	RAINCAP 200/220/0.5/316/BA/EX	57.53
165582	RAINCAP 200/220/0.5/316/BLACK/EX	71.91
170197	RAINCAP WITH MESH 150/165/0.5/316/BA/EX	46.05
170198	RAINCAP MESH 150/165/0.5/316/BLACK/EX	56.26
165521	RAINCAP 125/165/0.6/304/BA/EX	15.12
165522	RAINCAP 125/165/0.6/304/BLACK/EX	18.90



165523	RAINCAP 150/185/0.6/304/BA/EX	17.88
165524	RAINCAP 150/185/0.6/304/BLACK/EX	22.35
165525	RAINCAP /175/218/0.6/304/BA/EX	20.91
165526	RAINCAP /175/218/0.6/304/BLACK/EX	26.14
165527	RAINCAP 200/240/0.6/304/BA/EX	22.05
165528	RAINCAP 200/240/0.6/304/BLACK/EX	27.56
165607	TOP_STUB_MESH /125/230/0.5/316/BA/EX	25.97
165608	TOP_STUB_MESH /125/230/0.5/316/BLACK/EX	32.46
165609	TOP_STUB_MESH /150/230/0.5/316/BA/EX	29.22



165610	TOP_STUB_MESH /150/230/0.5/316/BLACK/EX	36.53
165611	TOP_STUB_MESH /175/230/0.5/316/BA/EX	33.05
165612	TOP_STUB_MESH /175/230/0.5/316/BLACK/EX	41.31
165613	TOP_STUB_MESH /200/230/0.5/316/BA/EX	34.55
165614	TOP_STUB_MESH /200/230/0.5/316/BLACK/EX	43.18

Vantage is a quality twin wall chimney system with a quick lock jointing system. It is used for wood burning or for solid fuel stoves.

With a quick lock jointing system. The components have a twin wall construction with a male spigot and a female socket to provide simple and rapid installation.

With its fully sealed components, Vantage can be installed both internally and externally. Vantage is supplied with a ten year conditional warranty.

PRODUCT DESCRIPTION

Applications

- Gas-fired stoves
- Wood-fired stoves
- Approved solid fuels
- Oil-fired appliances

Key features

- 10 year warranty



- Suitable for internal and external applications Distance to combustibles 60mm (50mm in free air)
- Also available in black powder coated finish
- Easy to install Twist-lock system Weatherproof, fully sealed components High density, mineral wool insulation Made from high grade stainless steel
- 316L stainless steel inner wall for the highest corrosion resistance
- 304 stainless steel outer wall in an attractive, polished finish

Technical characteristics

Application	Chimney/Flue system			
Operating mode	Dry			
Pressure	Negative pressure			
Operating Temperature	450 oC / 600 oC			
Thermal Shock	1000 oC [max 30 min]			
Inner Wall	material	AISI 316L/EN 1.4404		
	thickness	0.5 mm		
Outer wall	material	AISI 304 BA/EN 1.4301		
	thickness	0.5 mm		
Insulation	type	Mineral wool		
	thickness	25 mm		
Fuel Type	Wood/Gas/Oil/Approved Solid Fuels			
ID mm	125(5")	150(6")	175(7")	200(8")
OD mm	175	200	230	250
Cross section cm ²	123	177	241	314
Weight ±kg/m	5.5	6.5	7.5	8.0

Chimney diameter

The chimney size should be as recommended by the appliance manufacturer. Where there is a requirement for a flue diameter smaller than the appliance spigot, then the operational requirements of the appliance and the configuration of the flue must satisfy the flue sizing requirements of EN13384—1 for single appliances.

CE approved

EN1856: T450 N1 D V3 L50050 G50 [in free air]

EN1856: T450 N1 D V3 L50050 G60 [in a combustible shaft with ventilated fire stops]

EN1856: T600 N1 D V3 L50050 G100 [in a combustible shaft with ventilated fire stops]