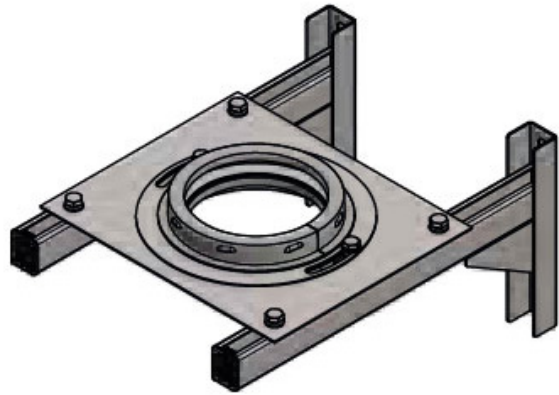





Vantage Wall support



Stocks available. Please contact us on 0191 4161150 or email sales.uk@schiedel.com to purchase this product. List pricing is shown below.

Download the brochure for dimensions and other details.

	Vantage Twin Wall Flue Download	1 6 5 4 5	WAL_SUP_REG 125/90-200/1/304/BA/EX	
5 165456	WAL_SUP_REG 125/90-200/1/304/BLACK/EX	34.91		32.59
165457	WAL_SUP_REG 150/90-200/1/304/BA/EX	32.59		



165458	WAL_SUP_REG 150/90-200/1/304/BLACK/EX	40.73
165459	WAL_SUP_REG 125/190-300/1/304/BA/EX	33.45
165460	WAL_SUP_REG 125/190-300/1/304/BLACK/EX	38.45
165461	WAL_SUP_REG 150/190-300/1/304/BA/EX	35.67
165462	WAL_SUP_REG 150/190-300/1/304/BLACK/EX	44.58
165463	WAL_SUP_REG 125/290-400/1/304/BA/EX	37.04
165464	WAL_SUP_REG 125/290-400/1/304/BLACK/EX	42.58
165465	WAL_SUP_REG 150/290-400/1/304/BA/EX	44.90



165466	WAL_SUP_REG 150/290-400/1/304/BLACK/EX	56.12
--------	--	-------

165467	SUPP_HEAVY_2 /125/475/1.5/304/BA/EX	41.89
165468	SUPP_HEAVY_2 /150/475/1.5/304/BA/EX	41.82
165471	SUPP_HEAVY_4 /125/740/1.5/304/BA/EX	44.72
165472	SUPP_HEAVY_4 /150/740/1.5/304/BA/EX	45.45
165475	SUPP_HEAVY_2 /125/475/1.5/304/BLACK/EX	52.37
165476	SUPP_HEAVY_2 /150/475/1.5/304/BLACK/EX	54.30
165479	SUPP_HEAVY_4 /125/740/1.5/304/BLACK/EX	70.07
165480	SUPP_HEAVY_4 /150/740/1.5/304/BLACK/EX	72.00
165483	SUPP_HEAVY_Z_2 /125/475/1.5/304/BA/EX	37.11
165484	SUPP_HEAVY_Z_2 /125/475/1.5/304/BLACK/EX	42.68
165485	SUPP_HEAVY_Z_2 /150/475/1.5/304/BA/EX	37.34
165486	SUPP_HEAVY_Z_2 /150/475/1.5/304/BLACK/EX	46.69
165487	SUPP_HEAVY_Z_2 /175/475/1.5/304/BA/EX	39.21
165488	SUPP_HEAVY_Z_2 /175/475/1.5/304/BLACK/EX	49.01
165489	SUPP_HEAVY_Z_2 /200/475/1.5/304/BA/EX	41.76
165490	SUPP_HEAVY_Z_2 /200/475/1.5/304/BLACK/EX	62.40
165491	SUPP_HEAVY_Z_4 /125/740/1.5/304/BA/EX	41.03
165492	SUPP_HEAVY_Z_4 /125/740/1.5/304/BLACK/EX	47.20
165493	SUPP_HEAVY_Z_4 /150/740/1.5/304/BA/EX	41.22
165494	SUPP_HEAVY_Z_4 /150/740/1.5/304/BLACK/EX	51.53
165495	SUPP_HEAVY_Z_4 /175/740/1.5/304/BA/EX	45.64
165496	SUPP_HEAVY_Z_4 /15/740/1.5/304/BLACK/EX	57.06
165497	SUPP_HEAVY_Z_4 /200/740/1.5/304/BA/EX	50.26
165498	SUPP_HEAVY_Z_4 /200/740/1.5/304/BLACK/EX	62.81

Vantage is a quality twin wall chimney system with a quick lock jointing system. It is used for wood burning or for solid fuel stoves.

With a quick lock jointing system. The components have a twin wall construction with a male spigot and a female socket to provide simple and rapid installation.

With its fully sealed components, Vantage can be installed both internally and externally. Vantage is supplied with a ten year conditional warranty.

PRODUCT DESCRIPTION

Applications

- Gas-fired stoves



- Wood-fired stoves
- Approved solid fuels
- Oil-fired appliances

Key features

- 10 year warranty
- Suitable for internal and external applications Distance to combustibles 60mm (50mm in free air)
- Also available in black powder coated finish
- Easy to install Twist-lock system Weatherproof, fully sealed components High density, mineral wool insulation Made from high grade stainless steel
- 316L stainless steel inner wall for the highest corrosion resistance
- 304 stainless steel outer wall in an attractive, polished finish

Technical characteristics

Application	Chimney/Flue system			
Operating mode	Dry			
Pressure	Negative pressure			
Operating Temperature	450 oC / 600 oC			
Thermal Shock	1000 oC [max 30 min]			
Inner Wall	material	AISI 316L/EN 1.4404		
	thickness	0.5 mm		
Outer wall	material	AISI 304 BA/EN 1.4301		
	thickness	0.5 mm		
Insulation	type	Mineral wool		
	thickness	25 mm		
Fuel Type	Wood/Gas/Oil/Approved Solid Fuels			
ID mm	125(5")	150(6")	175(7")	200(8")
OD mm	175	200	230	250
Cross section cm ²	123	177	241	314
Weight ±kg/m	5.5	6.5	7.5	8.0

Chimney diameter

The chimney size should be as recommended by the appliance manufacturer. Where there is a requirement for a flue diameter smaller than the appliance spigot, then the operational requirements of the appliance and the configuration of the flue must satisfy the flue sizing requirements of EN13384–1 for single appliances.

CE approved

EN1856: T450 N1 D V3 L50050 G50 [in free air]

EN1856: T450 N1 D V3 L50050 G60 [in a combustible shaft with ventilated fire stops]

EN1856: T600 N1 D V3 L50050 G100 [in a combustible shaft with ventilated fire stops]