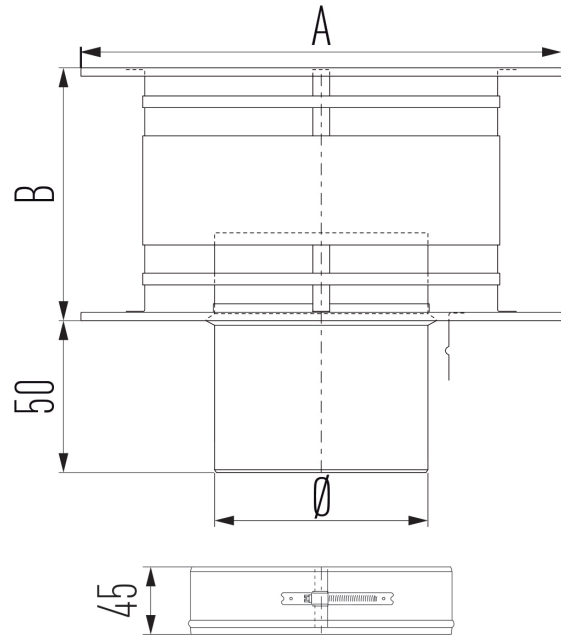




Weather Cap



The Metaloterm UE system is a modular twin wall flue system, made of stainless steel with an air gap insulation and sealing ring.

Metaloterm UE is suitable for low temperatures, condensing and non- condensing applications with flue gasses in positive or negative pressure. The system is suited for a wide range of applications such as condensing heaters and boilers, gas-fired stoves and ventilation systems.

Applications

- Gas fired stoves
- Oil fired stoves
- Industrial ventilation systems
- Air inlet or ventilation system
- Condensing heaters and boilers
- Atmospheric gas-fired boilers

Advantages

- Universal applicable flue-system
- Compatible with Metaloterm ME, Metaloterm MF
- Pressure-tight up to 5000 Pa
- Inner- and outer wall from high quality stainless steel
- Stress free thermal expansion
- Extremely low heat mass maintains draught and allows longer runs of installed flue

VARIATIONS

SKU	Int mm	A	B	Price
163378	080	175	90	



SKU	Int mm	A	B	Price
163379	100	220	110	
163380	130	285	145	
163381	150	330	165	
163382	180	395	200	
163383	200	440	220	
163384	250	550	275	

PRODUCT DESCRIPTION

The Metaloterm® UE system is a modular twin wall flue system, made of stainless steel with an air gap insulation and sealing ring. Metaloterm® UE is suitable for low temperatures, condensing and non-condensing applications with flue gases in positive or negative pressure. The system is suited for a wide range of applications such as condensing heaters and boilers, gas-fired stoves and ventilation systems.



[UE brochure](#) [Download](#)

[UE DXF files](#) [Download](#)



[UE DOPs and certificates](#) [Download](#)

CE approved | EN 1856-1:

T200 P1/H1 W V2 L50040 O25
T250 N1 W V2 L50040 O25
T400 N1 W V2 L50040 O130
T400 N1 D V3 L50040 G130

CE approved | EN 1856-2

T200 P1/H1 W V2 L50040 O50 M
T400 N1 W V2 L50040 O200 M
T400 N1 D V3 L50040 G200 M