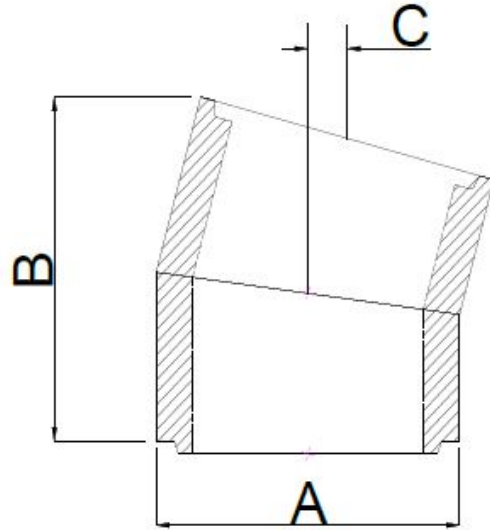




15 Degree rebated bend - Isokern Pumice



For lining masonry chimneys. Suitable for use in negative pressure (Dry Chimney) applications. CE Designation (T450 N2 D 3 G)

Features / Benefits

- Pumice Concrete
- Highly Insulated
- Lightweight
- Resistance to temperature changes
- To create any shallow offset
- Easy to Use
- Better performance

VARIATIONS

SKU	Int mm	A	B	Price
126364	150	200	278	£54.38 ex. VAT
126495	175	235	293	£70.55 ex. VAT
127679	200	250	303	£73.27 ex. VAT
127706	225	285	320	£86.79 ex. VAT
128542	250	310	333	£106.14 ex. VAT
129015	300	360	357	£133.03 ex. VAT
129354	350	416	386	£150.44 ex. VAT

PRODUCT DESCRIPTION

Pumice is a natural insulator; this is the unique property that separates pumice from all other chimney material.




Schiedel Isokern is noteworthy for its flue and chimney products manufactured using high quality pumice which is recognised throughout Europe and USA.

SCHIEDEL ISOKERN OFFERS:

- The unique feature of Schiedel Isokern against other chimney systems is that pumice is known for its natural insulating properties.
- Pumice allows the flue gases in the chimney to quickly reach their optimum temperature enabling the heating appliance to reach its optimum performance shortly after lighting.
- It keeps the chimney warmer longer as the heat output of the appliance decreases, once again aiding performance and reducing the likelihood of condensation and soot build-up.
- ISOKERN is a well reputed brand known for its durability, reliability and long lasting, robust performance, under the Schiedel product portfolio.
- We have the Largest collection of masonry chimney & fire chest products
- Our products are CE marked
- Our products are tested to the appropriate EN standards



For stove and chimney installers – whenever you register an installation with our easy to use, online guarantee registration portal, you will now accrue points based on the number of installations and installation type. So start to register your installations, taking full advantage of our Lifetime Guarantee on Flex and ICID, as well as guarantees on all our other ranges, and to start earning points


 [Isokern Pumice DOPs and certificates](#) [Download](#)


Isokern Pumice Double Module DM is CE Certified to EN1858 TÜV Cert no. 0036 CPR 90219 001
Isokern Pumice Chimney Liner is CE certified to EN1857 TÜV Cert no. 0036 CPR 90219 002
Isokern Magnum Firechest has been tested at the Fraunhofer Institut, Stuttgart, Cert no. P8-094/2006


CE Designation

Double Module DM System Chimney* T450 N1 D 3 G(00)
Pumice Chimney Liner T600 N2 D 3 G

* Zero distance to combustibles on straight chimney systems with ventilated terminal. 38mm distance to combustibles on offset systems. and non ventilated systems.

 [Isokern Brochure](#) [Download](#)

 [Magnum Firechest installation instructions](#) [Download](#)

 [Isokern Pumice bends DWG files](#) [Download](#)



Manor
Gather
DWG
files

[Download](#)

A useful app with guides on installation as well as step-by-step video guides.

This app was designed for installers to have all the information they require in a few quick clicks. This makes it easier for installers rather than having to carry paperwork during the installation process with video breakdowns of each stage of the installation process.

Download the iPhone and iPad version in the App Store and Android version in the Google Play Store.

