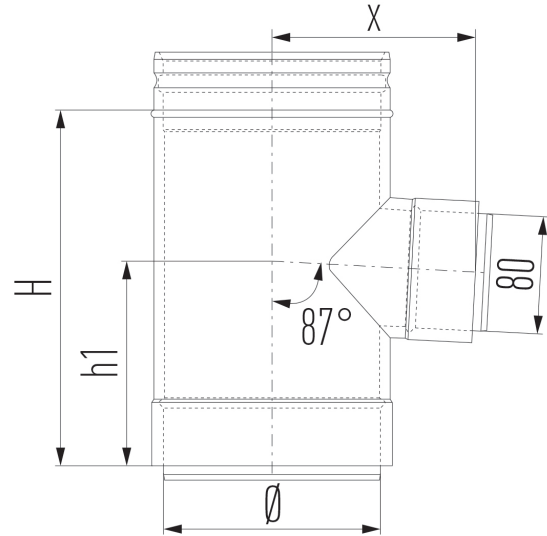




87 Degree Reducing Tee 80 - UE



The Metaloterm UE system is a modular twin wall flue system, made of stainless steel with an air gap insulation and sealing ring.

Metaloterm UE is suitable for low temperatures, condensing and non-condensing applications with flue gasses in positive or negative pressure. The system is suited for a wide range of applications such as condensing heaters and boilers, gas-fired stoves and ventilation systems.

Applications

- Gas fired stoves
- Oil fired stoves
- Industrial ventilation systems
- Air inlet or ventilation system
- Condensing heaters and boilers
- Atmospheric gas-fired boilers

Advantages

- Universal applicable flue-system
- Compatible with Metaloterm ME, Metaloterm MF
- Pressure-tight up to 5000 Pa
- Inner- and outer wall from high quality stainless steel
- Stress free thermal expansion
- Extremely low heat mass maintains draught and allows longer runs of installed flue

VARIATIONS



SKU	Int mm	H	h1	X	Price
163502	100	200	120	120	
163503	130	250	140	135	
163504	150	250	140	145	
163505	180	250	140	160	
163506	200	250	140	170	
163507	250	250	140	195	

PRODUCT DESCRIPTION

The Metaloterm® UE system is a modular twin wall flue system, made of stainless steel with an air gap insulation and sealing ring. Metaloterm® UE is suitable for low temperatures, condensing and non- condensing applications with flue gasses in positive or negative pressure. The system is suited for a wide range of applications such as condensing heaters and boilers, gas-fired stoves and ventilation systems.



[UE brochure](#) [Download](#)

[UE DXF files](#) [Download](#)



[UE DOPs and certificates](#) [Download](#)

CE approved | EN 1856-1:

T200 P1/H1 W V2 L50040 O25
T250 N1 W V2 L50040 O25
T400 N1 W V2 L50040 O130
T400 N1 D V3 L50040 G130

CE approved | EN 1856-2

T200 P1/H1 W V2 L50040 O50 M
T400 N1 W V2 L50040 O200 M
T400 N1 D V3 L50040 G200 M