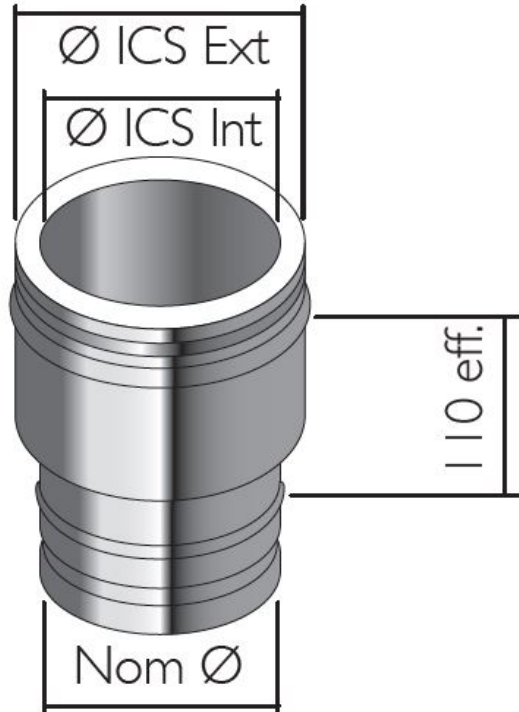




Adaptor Prima Plus to ICS



This allows connection from the Prima Plus to ICS 25 system.

- Allows an engineered connection within the same installation.
- Simple push fit connection secured with locking bands

VARIATIONS

SKU	Int mm	Colour	A	Price
101177	100	Plain	110	
148400	100	Plain	110	
101176	080	Plain	110	
101178	130	Plain	110	
101360	230	Plain	110	
101179	150	Plain	110	
101180	180	Plain	110	
101181	200	Plain	110	
101182	250	Plain	110	
101183	300	Plain	110	



PRODUCT DESCRIPTION

Prima Plus is a high quality 316L stainless steel single wall flue system with a wall thickness of 0.6mm. It is designed for use on gas and oil burning stoves and boilers with continuous operating temperatures up to 450°C and short firing up to 600°C.


With the addition of a gasket to the joint, Prima Plus is designed for fluing condensing gas and oil appliances with positive pressures up to 200Pa, continuous operating temperatures up to 160°C and short firing up to 200°C.

For stove and chimney installers – whenever you register an installation with our easy to use, online guarantee registration portal, you will now accrue points based on the number of installations. So [click here](#) to start and register your installations, taking full advantage of our Lifetime Guarantee on Flex and ICID, as well as guarantees on all our other ranges, and to start earning points

[ICS brochure](#)

[ICS installation instructions](#)

[Click here](#) to view Certificates and Declarations of Performance

 Schiedel is the first European chimney manufacturer to have performed the tests according to this latest fire resistance standard for chimneys. European standard BS EN 1366-13:2019 “Fire resistance tests for service installations, Part 13: Chimneys” and has reached EI 120 classification for our Double Wall Insulated System Chimney ICS in a closed scenario (type A) for both vertical and horizontal set-ups.

ICS is CE Certified to EN1856-1 TÜV 0036 CPR 9195 001 with designations

ICS is CE Certified to EN1856-2 TÜV 0036 CPR 9195 041 with designations

System Chimney EN1856-1

T450 N1 W V2 L50050 G60

T450 N1 D V3 L50050 G60

60mm Distance to combustibles in a combustible shaft*

T450 N1 W V2 L50050 G50

T450 N1 D V3 L50050 G50

50mm Distance to combustibles in a non combustible shaft or in free air*

T200 P1 W V2 L50050 O00

Zero distance to combustibles*

Connecting Flue Pipe EN1856-2

T450 N1 D V2 L50050 G100 M

- Manufactured under a Quality Management Scheme approved to BS EN ISO 9001
- 4 Hour Fire Rating to BS476 Part 20
- Certified for corrosion resistance on gas, oil and solid fuel by Gastec, MPA and TÜV
- HETAS listed for use on solid fuel applications.

[Prima Plus brochure](#)

[Prima Plus installation instructions](#)



[Click here](#) to view Certificates and Declarations of Performance

Prima Plus is CE Certified for the following applications:-

Connecting Flue Pipe -EN1856-2TÜV 0036 CPR 9195 017

Chimney Liner – EN1856-2 TÜV 0036 CPR 9195 019

System Chimney – EN1856-1 TÜV 0036 CPR 9195 018

CE Designations are as follows:-

Connecting Flue Pipe

High Temperature Applications T600 N1 W V2 L50060 G400 M*

Low Temperature Applications T200 P1 W V2 L50060 O200 M* and T200 N1 W V2 L50060 O200 M*

Chimney Liner

High Temperature Applications T600 N1 W V2 L50060 G

Low Temperature Applications T200 P1 W V2 L50060 O

System Chimney

High Temperature Applications T450 N1 W V2 L50060 G50** and T450 N1 D V2 L50060 G50***

Low Temperature Applications T200 P1 W V2 L50060 O200

* M stands for measured distance to combustibles on a connecting flue pipe application in the range of diameters Ø150-Ø200
For other diameters in the range the following distances should be used: Ø80-125 =375mm, Ø130 = 390mm

** Used internally inside a non combustible shaft

*** Insulated and used internally inside a suitable enclosure

FREE Access to advanced CAD modelling files.

Please visit our external BIM (Business Information Modelling) for access to advanced modelling files in a number of formats.
Please note that you will have to register and login for access to the files.

[Click here to access our BIM files.](#)

A useful app with guides on installation as well as step-by-step video guides.

This app was designed for installers to have all the information they require in a few quick clicks. This makes it easier for installers rather than having to carry paperwork during the installation process with video breakdowns of each stage of the installation process.

Download the iPhone and iPad version in the App Store and Android version in the Google Play Store.

