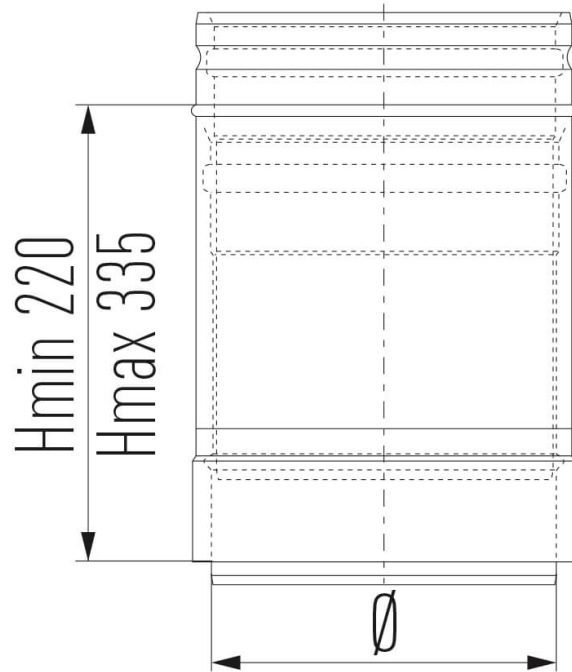




Adjustable Pipe



The Metaloterm UE system is a modular twin wall flue system, made of stainless steel with an air gap insulation and sealing ring.

Metaloterm UE is suitable for low temperatures, condensing and non-condensing applications with flue gasses in positive or negative pressure. The system is suited for a wide range of applications such as condensing heaters and boilers, gas-fired stoves and ventilation systems.

Applications

- Gas fired stoves
- Oil fired stoves
- Industrial ventilation systems
- Air inlet or ventilation system
- Condensing heaters and boilers
- Atmospheric gas-fired boilers

Advantages



- Universal applicable flue-system
- Compatible with Metaloterm ME, Metaloterm MF
- Pressure-tight up to 5000 Pa
- Inner- and outer wall from high quality stainless steel
- Stress free thermal expansion
- Extremely low heat mass maintains draught and allows longer runs of installed flue

VARIATIONS

SKU	Int mm	Price
163444	080	
163445	100	
163446	130	
163447	150	
163448	180	
163449	200	
163450	250	

PRODUCT DESCRIPTION

The Metaloterm® UE system is a modular twin wall flue system, made of stainless steel with an air gap insulation and sealing ring. Metaloterm® UE is suitable for low temperatures, condensing and non- condensing applications with flue gasses in positive or negative pressure. The system is suited for a wide range of applications such as condensing heaters and boilers, gas-fired stoves and ventilation systems.

[UE brochure](#)

[Click here](#) to view Certificates and Declarations of Performance

CE approved | EN 1856-1:

T200 P1/H1 W V2 L50040 O25
T250 N1 W V2 L50040 O25
T400 N1 W V2 L50040 O130
T400 N1 D V3 L50040 G130

CE approved | EN 1856-2

T200 P1/H1 W V2 L50040 O50 M
T400 N1 W V2 L50040 O200 M
T400 N1 D V3 L50040 G200 M