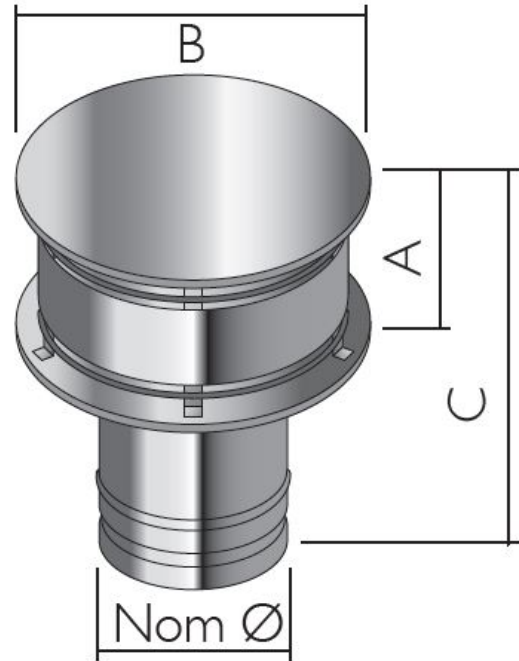




## ANTI-SPLASH ANTI-DOWNDRAUGHT TERMINAL (GASTEC APPROVED) WITH MESH - PRIMA PLUS



Anti-Splash Anti-Downdraught Terminal (Gastec Approved) with Mesh - Prima Plus Terminals.

This item is used to minimise rainwater ingress.

### VARIATIONS

SKU	Price	Int mm	Colour	A	B	C
124616		80	Plain	95	200	295
111770		100	Plain	95	200	295
113042		130	Plain	130	254	330
114711		150	Plain	175	304	375
119690		180	Plain	200	359	400
116317		200	Plain	200	409	400
119689		230	Plain	250	459	475
119688		250	Plain	275	509	475
119687		300	Plain	330	609	530

### PRODUCT DESCRIPTION

Prima Plus is a high quality 316L stainless steel single wall flue system with a wall thickness of 0.6mm. It is designed for use on gas and oil burning stoves and boilers with continuous operating temperatures up to 450°C and short firing up to 600°C.



With the addition of a gasket to the joint, Prima Plus is designed for fluing condensing gas and oil appliances with positive pressures up to 200Pa, continuous operating temperatures up to 160°C and short firing up to 200°C.



PDF

[Prima Plus brochure](#)  
File size 1.98 MB  
[Download](#)



PDF

[Prima Plus installation instructions](#)  
File size 2.62 MB  
[Download](#)



ZIP

[Prima Plus approvals](#)  
File size 2.27 MB  
[Download](#)

**Prima Plus is CE Certified for the following applications:-**

Connecting Flue Pipe -EN1856-2TÜV 0036 CPR 9195 017  
Chimney Liner – EN1856-2 TÜV 0036 CPR 9195 019  
System Chimney – EN1856-1 TÜV 0036 CPR 9195 018

**CE Designations are as follows:-**

Connecting Flue Pipe

High Temperature Applications T600 N1 W V2 L50060 G400 M\*  
Low Temperature Applications T200 P1 W V2 L50060 O200 M\* and T200 N1 W V2 L50060 O200 M\*

Chimney Liner

High Temperature Applications T600 N1 W V2 L50060 G  
Low Temperature Applications T200 P1 W V2 L50060 O

System Chimney

High Temperature Applications T450 N1 W V2 L50060 G50\*\* and T450 N1 D V2 L50060 G50\*\*\*  
Low Temperature Applications T200 P1 W V2 L50060 O200

\* M stands for measured distance to combustibles on a connecting flue pipe application in the range of diameters Ø150-Ø200  
For other diameters in the range the following distances should be used: Ø80-125 =375mm, Ø130 = 390mm

\*\* Used internally inside a non combustible shaft

\*\*\* Insulated and used internally inside a suitable enclosure

**FREE Access to advanced CAD modelling files.**

Please visit our external BIM (Business Information Modelling) for access to advanced modelling files in a number of formats.  
Please note that you will have to register and login for access to the files.

[Click here to access our BIM files.](#)

**A useful app with guides on installation as well as step-by-step video guides.**

This app was designed for installers to have all the information they require in a few quick clicks. This makes it easier for installers rather than having to carry paperwork during the installation process with video breakdowns of each stage of the installation process.



SCHIEDEL CHIMNEY SYSTEMS LTD.  
PRODUCT TECHNICAL DATA SHEET



Download the iPhone and iPad version in the App Store and Android version in the Google Play Store.

