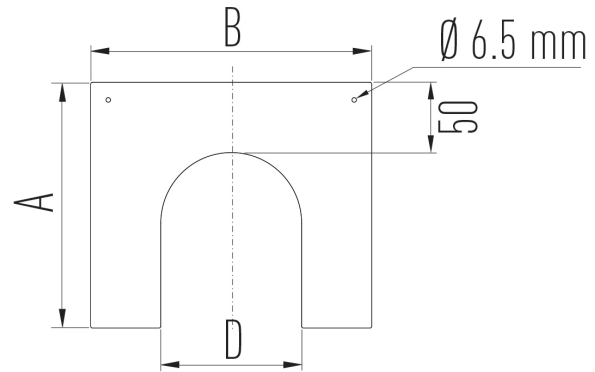




Cover Plate



The Metaloterm UE system is a modular twin wall flue system, made of stainless steel with an air gap insulation and sealing ring.

Metaloterm UE is suitable for low temperatures, condensing and non- condensing applications with flue gasses in positive or negative pressure. The system is suited for a wide range of applications such as condensing heaters and boilers, gas-fired stoves and ventilation systems.

Applications

- Gas fired stoves
- Oil fired stoves
- Industrial ventilation systems
- Air inlet or ventilation system
- Condensing heaters and boilers
- Atmospheric gas-fired boilers

Advantages

- Universal applicable flue-system
- Compatible with Metaloterm ME, Metaloterm MF
- Pressure-tight up to 5000 Pa
- Inner- and outer wall from high quality stainless steel
- Stress free thermal expansion
- Extremely low heat mass maintains draught and allows longer runs of installed flue

VARIATIONS

SKU	Int mm	A	B	D	Price
163281	080	250	295	95	
163282	100	260	315	115	
163283	130	280	345	145	
163284	150	370	365	165	
163285	180	390	395	195	
163286	200	420	415	215	
163287	250	465	465	265	



SKU	Int mm	A	B	D	Price
165031	080	Any A	Any B	Any D	
165032	100	Any A	Any B	Any D	
165033	130	Any A	Any B	Any D	
165034	150	Any A	Any B	Any D	

PRODUCT DESCRIPTION

The Metaloterm® UE system is a modular twin wall flue system, made of stainless steel with an air gap insulation and sealing ring. Metaloterm® UE is suitable for low temperatures, condensing and non- condensing applications with flue gasses in positive or negative pressure. The system is suited for a wide range of applications such as condensing heaters and boilers, gas-fired stoves and ventilation systems.



[UE brochure](#) [Download](#)

[UE DXF files](#) [Download](#)



[UE DOPs and certificates](#) [Download](#)

CE approved | EN 1856-1:

T200 P1/H1 W V2 L50040 O25
T250 N1 W V2 L50040 O25
T400 N1 W V2 L50040 O130
T400 N1 D V3 L50040 G130

CE approved | EN 1856-2

T200 P1/H1 W V2 L50040 O50 M
T400 N1 W V2 L50040 O200 M
T400 N1 D V3 L50040 G200 M