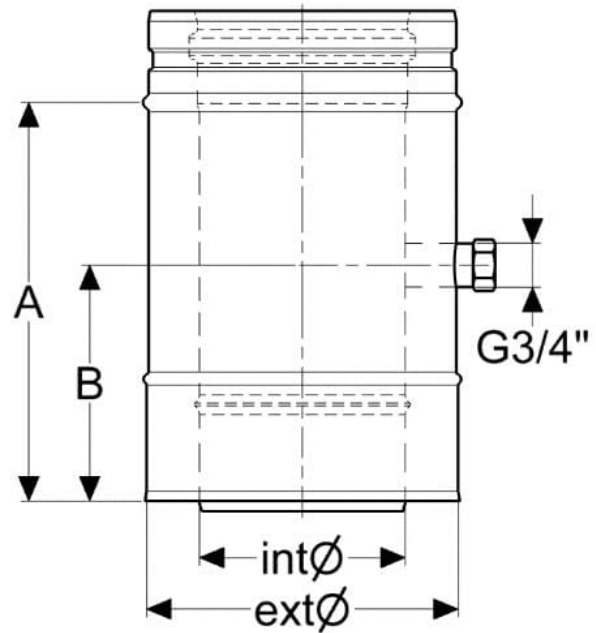




## Pipe with Test Point - UK Plus



UK Plus Concentric flue system is a modular, high quality stainless steel concentric flue system for balanced flue applications.

It is designed to operate with room sealed condensing or non-condensing gas or oil appliances in positive or negative pressure with continuous operating temperature up to 200 Degree C.

Without the seal it can be used on gas fires with a temperature rating of up to T600.

#### System properties

- Multi purpose concentric system in lightweight design
- Suitable for internal and external application
- Silicone gaskets ensure P1 pressure tightness
- With viton gaskets suitable also for oil appliances
- High quality engineered joints secured by locking bands
- Wide range of installer friendly accessories
- No thermal bridges

#### Application area

- Flue gas extraction and air supply of room-sealed appliances
- Condensing appliances



- Residential or commercial use

## VARIATIONS

SKU	Int mm	Ext mm	A	B	Price
173986	100	150	196	116	
173987	130	200	196	116	
173985	080	130	196	116	

## PRODUCT DESCRIPTION

UK Plus Concentric flue system is a modular, high-quality stainless steel concentric flue system for balanced flue applications.

It is designed to operate with room-sealed condensing or non-condensing gas or oil appliances in positive or negative pressure with continuous operating temperatures up to 200 Degrees C.

Without the seal, it can be used on gas fires with a temperature rating of up to T600.

### System Properties

- Multi-purpose concentric system in lightweight design
- Suitable for internal and external application
- Silicone gaskets ensure P1 pressure tightness
- With Viton gaskets suitable also for oil appliances
- High-quality engineered joints secured by locking bands
- Wide range of installer-friendly accessories
- No thermal bridges

### Application area

- Flue gas extraction and air supply of room-sealed appliances
- Condensing appliances
- Residential or commercial use.

For stove and chimney installers – whenever you register an installation with our easy to use, online guarantee registration portal, you will now accrue points based on the number of installations. So [click here](#) to start and register your installations, taking full advantage of our Lifetime Guarantee on Flex and ICID, as well as guarantees on all our other ranges, and to start earning points

[UK Plus brochure](#)

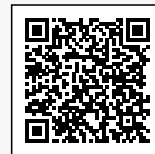
[Click here](#) to view Certificates and Declarations of Performance

### EN 1856-1 System chimney CE Designation:

036 – CPR – 91236-057 Production: Teplice (CZ)

T200 – P1 – W – V2 – L50040 – O00

T200 – P1 – W – Vm – L20040 – O50



T600 - N1 - W - V2 - L50040 - O50  
T600 - N1 - W - Vm - L20040 - O50

**EN 1856-2 Connecting flue pipe CE Designation:**

0036 - CPR - 91236-058 Production: Teplice (CZ)

T200 - P1 - W - V2 - L50040 - O30  
T200 - P1 - W - Vm - L20040 - O30