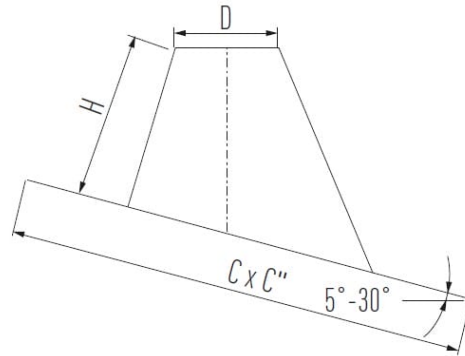




Slope roof flashing 5 Degree - 30 Degree - MEDH



Slope roof flashing 5 Degree - 30 Degree - MEDH is part of the Schiedel ME range, which has a number of applications and advantages.

APPLICATIONS

- Shaft liner in renovation projects
- Air inlet & ventilation systems
- Flue system for condensing heaters and boilers
- Chimney renovation

ADVANTAGES

- Stress free thermal expansion
- Can be connected to MF flue system
- High quality stainless steel system
- High temperature silicone sealing ring
- Universal application
- Light weight system
- Chimney fire resistant

VARIATIONS

SKU	Int mm	C	D	H	C2	Price
161131	250	685	305	175	655	

PRODUCT DESCRIPTION

ME system is a modular single wall flue/chimney system, made of stainless steel with a silicone sealing ring.

ME is a universal flue/chimney system which is suitable for both high and low temperatures, non-condensing and condensing applications with flue gasses under positive and negative pressure. It can resist a chimney fire.

Therefore the system is suitable for a wide range of applications such as boilers, stoves, ovens and a ventilation system. The system can also be used for CHP applications, in this case a special VITON® sealing ring might be necessary.



Technical characteristics

Application	System Chimney/Connecting Flue Pipe/Chimney Liner
Operating mode	Dry/wet
Pressure	N1/P1/H1
Max. working pressure	5000 Pa
Max. operating temperature	600°C (negative pressure - N1 applications) 200°C (positive pressure - P1/H1 applications)
Soot Fire Resistant*	Yes (see G designations below) No (see O designations below)
Inner wall material	AISI 316L/EN 1.4404
Inner wall thickness	Ø80 - Ø200: 0.4mm Ø250 - Ø300: 0.5mm Ø350: 0.6mm
Fuel type	Oil/wood/coal/pellets normal (wood)/gas
Sealant	Elastomer. (Where case flue gas temperatures exceed 200°C, sealants as well as the cap and door seals should be removed before installation)

For stove and chimney installers – whenever you register an installation with our easy to use, online guarantee registration portal, you will now accrue points based on the number of installations. So [click here](#) to start and register your installations, taking full advantage of our Lifetime Guarantee on Flex and ICID, as well as guarantees on all our other ranges, and to start earning points

[ME International brochure](#)

[Click here to view Certificates and Declarations of Performance](#)

CE approved | EN 1856-1: System Chimney

T200 P1/H1 W V2 L50050 O30

CE approved | EN 1856-2: Connecting Flue Pipe

T200 P1/H1 W V2 L50050 O30 M
T600 N1 D V2 L50050 G400 M

CE approved | EN1856-2: Chimney Liner

T200 P1/H1 W V2 L50050 O
T600 N1 D V2 L50050 G

* Above CE designations refer to Ø80-300 – For larger diameters please contact us.