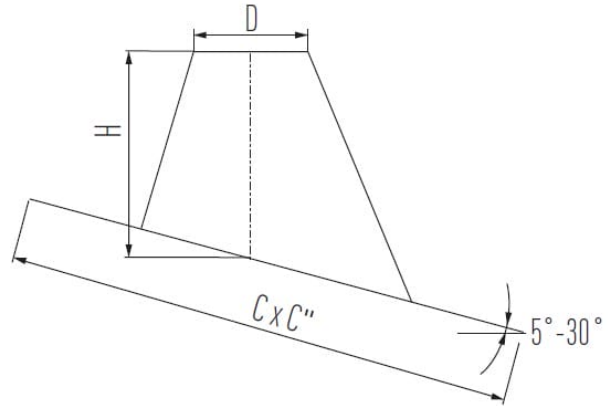




## Slope roof flashing 5 Degree - 30 Degree - MFDH



The Metaloterm® MF system is a modular twin wall insulated flue/chimney system, made of stainless steel, with a sealing ring. Metaloterm® MF is a universal flue/chimney system which is suitable for both high and low temperatures, non-condensing and condensing applications with flue gasses in positive and negative pressure. It can resist a chimney fire. Therefore the system is suited for a wide range of applications such as boilers, stoves and ovens. The product range also contains a wide variety of silencers. For Passive houses the Metaloterm assortment provides the Iso-block which can be combined with MF. The system can also be used for CHP applications, in this case a special VITON® sealing ring might be necessary. Due to the proven quality Metaloterm® MF has a 10 year guarantee.

**APPLICATIONS**

- Atmospheric gas-fired boilers
- Condensing boilers
- Wood-fired stoves
- Industrial ovens, large-scale establishments

**ADVANTAGES**

- Universal chimney/flue system
- Inner- and outer wall from high quality stainless steel
- No terminal bridges, uninterrupted insulation from base plate to top stub
- Stress free thermal expansion
- Fast-build system without the need of sealants
- Compatible with system Metaloterm® ME, UE and EN
- High density and high quality insulation
- High-temperature silicone sealing ring
- Lightweight elements
- Immediately ready for use
- Chimney fire resistant

**VARIATIONS**

SKU	Int mm	C	D	H	Price
162212	130	550	185	160	£37.24 ex. VAT
162213	150	575	205	160	£40.40 ex. VAT
162214	180	605	235	165	£44.31 ex. VAT



SKU	Int mm	C	D	H	Price
162215	200	630	255	170	£49.75 ex. VAT
162216	250	685	305	175	£55.93 ex. VAT
162217	300	740	355	185	£72.18 ex. VAT
162218	350	795	405	195	£91.93 ex. VAT
162219	400	850	455	200	£101.73 ex. VAT
162220	450	935	530	215	£108.52 ex. VAT
162221	500	990	580	220	£133.40 ex. VAT
164904	100	520	155	155	£34.98 ex. VAT

## PRODUCT DESCRIPTION

The Metaloterm® MF system is a modular twin wall insulated flue/chimney system, made of stainless steel, with a sealing ring. Metaloterm® MF is a universal flue/chimney system which is suitable for both high and low temperatures, non-condensing and condensing applications with flue gasses in positive and negative pressure. It can resist a chimney fire. Therefore the system is suited for a wide range of applications such as boilers, stoves and ovens. The product range also contains a wide variety of silencers. For Passive houses the Metaloterm assortment provides the Iso-block which can be combined with MF. The system can also be used for CHP applications, in this case a special VITON® sealing ring might be necessary. Due to the proven quality Metaloterm® MF has a 10 year guarantee.

## APPLICATIONS

- Atmospheric gas-fired boilers
- Condensing boilers
- Wood-fired stoves
- Industrial ovens, large-scale establishments

## ADVANTAGES

- Universal chimney/flue system
- Inner- and outer wall from high quality stainless steel
- No terminal bridges, uninterrupted insulation from base plate to top stub
- Stress free thermal expansion
- Fast-build system without the need of sealants
- Compatible with system Metaloterm® ME, UE and EN
- High density and high quality insulation
- High-temperature silicone sealing ring
- Lightweight elements
- Immediately ready for use
- Chimney fire resistant