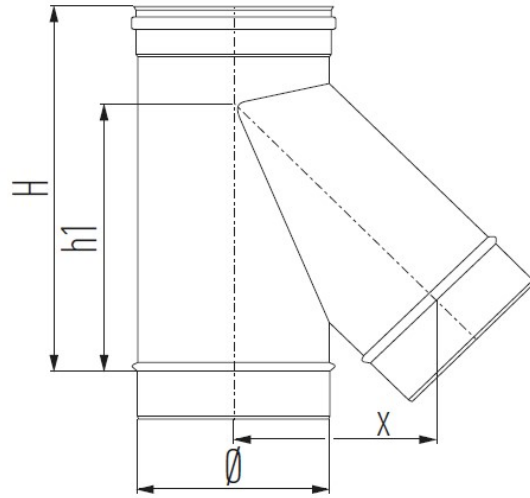




TEE-PIECE 45 DEGREE WITH CONDENSATE DEFLECTOR - MET 45



This product is part of the Schiedel Metaloterm ME range, which has a number of applications and advantages.

APPLICATIONS

- Shaft liner in renovation projects
- Air inlet & ventilation systems
- Flue system for condensing heaters and boilers
- Chimney renovation

ADVANTAGES

- Stress free thermal expansion
- Can be connected to Metaloterm® MF
- High quality stainless steel system
- High temperature silicone sealing ring
- Universal application
- Light weight system
- Chimney fire resistant



VARIATIONS


SKU	Price	Int mm	H	X	h1
161553		100	380	135	230
161554		113	420	145	280
161555		130	450	155	310
161556		150	450	165	310
161557		180	470	175	310
161558		200	470	185	310
161559		250	600	285	410
161560		300	690	340	450
161561		350	690	360	500
161562		400	890	425	550
161565		600	1135	552	900

PRODUCT DESCRIPTION


The Metaloterm® ME system is a modular single wall flue/chimney system, made of stainless steel with a high temperature sealing ring. Metaloterm® ME is a universal flue/ chimney system which is suitable for both high and low temperatures, non-condensing, and condensing applications with flue gasses in positive and negative pressure.

It can resist a chimney fire. Therefore, the system is suited for a wide range of applications such as boilers, stoves, ovens and as ventilation system. It can be used as a connection flue pipe or in renovation situations as a shaft liner. The product range also contains a wide variety of silencers.

The system can also be used for CHP applications, in this case a special VITON® sealing ring might be necessary.



[ME brochure](#) [Download](#)



[Metaloterm ME DWG files](#) [Download](#)

CE approved | EN 1856-1: System Chimney

T200 P1/H1 W V2 L50050 O30

CE approved | EN 1856-2: Connecting Flue Pipe

T200 P1/H1 W V2 L50050 O30 M
T600 N1 D V2 L50050 G400 M

CE approved | EN1856-2: Chimney Liner

T200 P1/H1 W V2 L50050 O
T600 N1 D V2 L50050 G

* Above CE designations refer to Ø80-300 – For larger diameters please contact us.