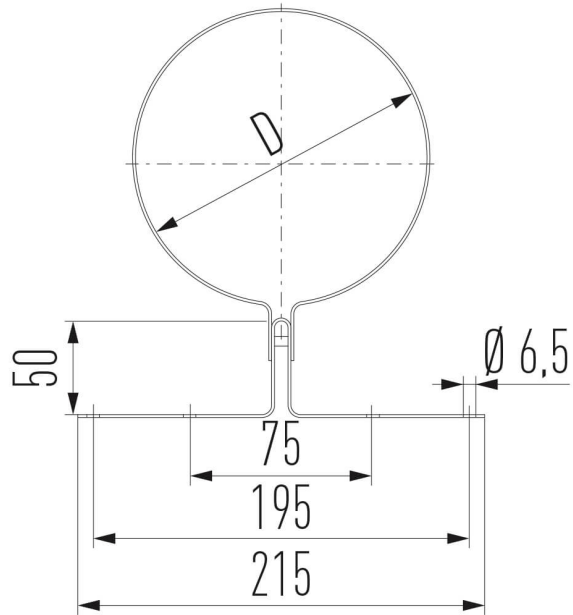




Wall Band



The Metaloterm UE system is a modular twin wall flue system, made of stainless steel with an air gap insulation and sealing ring.

Metaloterm UE is suitable for low temperatures, condensing and non- condensing applications with flue gasses in positive or negative pressure. The system is suited for a wide range of applications such as condensing heaters and boilers, gas-fired stoves and ventilation systems.

**Applications**

- Gas fired stoves
- Oil fired stoves
- Industrial ventilation systems
- Air inlet or ventilation system
- Condensing heaters and boilers
- Atmospheric gas-fired boilers

**Advantages**

- Universal applicable flue-system
- Compatible with Metaloterm ME, Metaloterm MF
- Pressure-tight up to 5000 Pa
- Inner- and outer wall from high quality stainless steel
- Stress free thermal expansion
- Extremely low heat mass maintains draught and allows longer runs of installed flue

**VARIATIONS**

SKU	Int mm	D	Price
163356	080	95	



SKU	Int mm	D	Price
163357	100	115	
163358	130	145	
163359	150	165	
163360	180	195	
163361	200	215	
163362	250	265	

## PRODUCT DESCRIPTION

The Metaloterm® UE system is a modular twin wall flue system, made of stainless steel with an air gap insulation and sealing ring. Metaloterm® UE is suitable for low temperatures, condensing and non- condensing applications with flue gasses in positive or negative pressure. The system is suited for a wide range of applications such as condensing heaters and boilers, gas-fired stoves and ventilation systems.

[UE brochure](#)

[Click here to view Certificates and Declarations of Performance](#)

### CE approved | EN 1856-1:

T200 P1/H1 W V2 L50040 O25  
T250 N1 W V2 L50040 O25  
T400 N1 W V2 L50040 O130  
T400 N1 D V3 L50040 G130

### CE approved | EN 1856-2

T200 P1/H1 W V2 L50040 O50 M  
T400 N1 W V2 L50040 O200 M  
T400 N1 D V3 L50040 G200 M