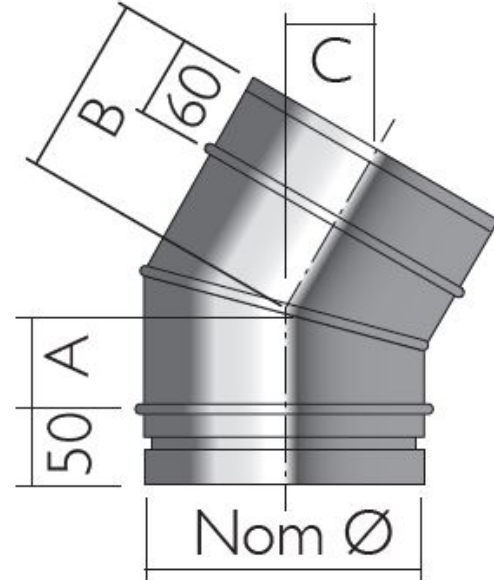




## 30 DEGREE BEND - PRIMA PLUS



This item gives a fixed angle of 30°. Suitable for use without any gaskets in negative pressure (N1) applications. By adding a lip seal gasket to the male end of the liner it can be used on positive pressure applications (P1).

- Provides a fixed angle of 30 Degrees.

### The easy to install single wall flue system

- 80 - 300mm Diameter Range
- Single wall stainless steel flue systems for gas, oil, wood and multi-fuel.
- Residential & commercial applications
- Fluing condensing boilers
- Relining existing chimneys for stoves, boilers or open fires
- Connection between stoves or boilers and chimneys
- Venting warm air gas and oil heaters and for particle/fume extraction system

### VARIATIONS

SKU	Price	Int mm	Colour	A	B	C
106341		80	Plain	36	91	45
106342		100	Plain	38	93	47
106345		130	Plain	42	97	Any C
106347		150	Plain	45	100	50
106349		180	Plain	Any A	104	52
106350		200	Plain	52	107	53
106351		230	Plain	56	111	55
106352		250	Plain	58	113	57



SKU	Price	Int mm	Colour	A	B	C
106353		300	Plain	65	120	60

## PRODUCT DESCRIPTION

**Prima Plus is a high quality 316L stainless steel single wall flue system with a wall thickness of 0.6mm.**

It is designed for use on gas and oil burning stoves and boilers with continuous operating temperatures up to 450 degree C and short firing up to 600 degree C.

With the addition of a gasket to the joint, Prima Plus is designed for fluing condensing gas and oil appliances with positive pressures up to 200Pa, continuous operating temperatures up to 160 degree C and short firing up to 200 degree C.

### The easy to install single wall flue system

- 80 - 300mm Diameter Range
- Single wall stainless steel flue systems for gas, oil, wood and multi-fuel.
- Residential & commercial applications
- Fluing condensing boilers
- Relining existing chimneys for stoves, boilers or open fires
- Connection between stoves or boilers and chimneys
- Venting warm air gas and oil heaters and for particle/fume extraction system



PDF

[Prima Plus brochure](#)

File size 1.98 MB

[Download](#)



PDF

[Prima Plus installation instructions](#)

File size 2.62 MB

[Download](#)



ZIP

[Prima Plus approvals](#)

File size 2.27 MB

[Download](#)

### Prima Plus is CE Certified for the following applications:-

Connecting Flue Pipe - EN1856-2 TÜV 0036 CPR 9195 017

Chimney Liner - EN1856-2 TÜV 0036 CPR 9195 019

System Chimney - EN1856-1 TÜV 0036 CPR 9195 018

### CE Designations are as follows:-

Connecting Flue Pipe

High Temperature Applications T600 N1 W V2 L50060 G400 M\*

Low Temperature Applications T200 P1 W V2 L50060 O200 M\* and T200 N1 W V2 L50060 O200 M\*

Chimney Liner

High Temperature Applications T600 N1 W V2 L50060 G

Low Temperature Applications T200 P1 W V2 L50060 O

System Chimney

High Temperature Applications T450 N1 W V2 L50060 G50\*\* and T450 N1 D V2 L50060 G50\*\*\*



Low Temperature Applications T200 P1 W V2 L50060 O200

\* M stands for measured distance to combustibles on a connecting flue pipe application in the range of diameters Ø150-Ø200  
For other diameters in the range the following distances should be used: Ø80-125 = 375mm, Ø130 = 390mm

\*\* Used internally inside a non combustible shaft

\*\*\* Insulated and used internally inside a suitable enclosure

**FREE Access to advanced CAD modelling files.**

Please visit our external BIM (Business Information Modelling) for access to advanced modelling files in a number of formats.  
Please note that you will have to register and login for access to the files.

[Click here to access our BIM files.](#)

**A useful app with guides on installation as well as step-by-step video guides.**

This app was designed for installers to have all the information they require in a few quick clicks. This makes it easier for installers rather than having to carry paperwork during the installation process with video breakdowns of each stage of the installation process.

Download the iPhone and iPad version in the App Store and Android version in the Google Play Store.

