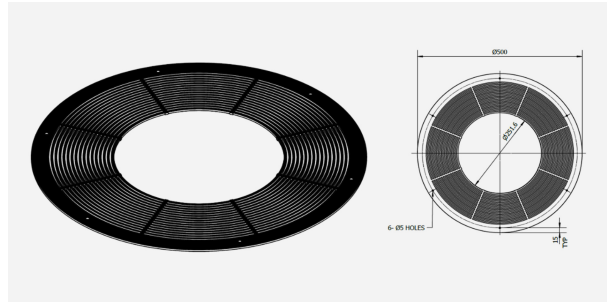




Perimeter Smooth Air ventilated firestop plate for Sirius stove installations



The ventilated firestop plate is used where Perimeter Smooth Air will be running through a bedroom or other living space where the chimney will be enclosed in a shaft.

The slots in the fire stop plate are designed to allow for air to move freely around the chimney and prevent heat from building up within an enclosed space. The slot pattern is specific to Schiedel Perimeter Smooth Air and the system has been tested and approved to BS EN 1856-1 and BS 476 Part 20.

Features	Benefits
Ventilated slot pattern	Ensures sufficient air movement to prevent heat build up when running through combustible floors
Circular slot pattern	Allows the installer to use the outside ring to create the correct hole size when penetrating the ceiling
Optimised slot pattern	Ensures flames can not penetrate through the slots in case of a fire within the sitting room
Black painted	To match the Perimeter Smooth Air product finish