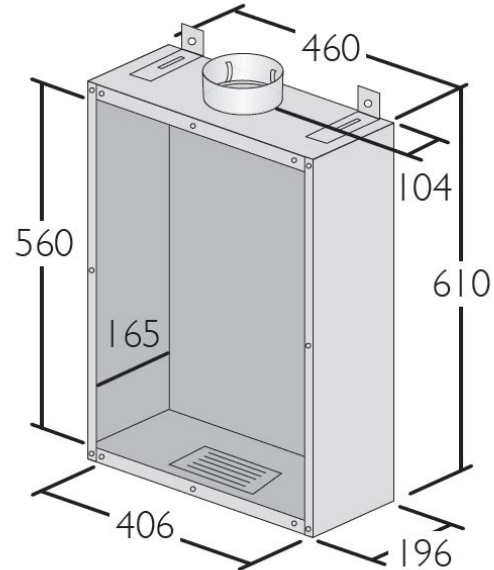




Standard Flue box - Flexible Liners



This item is designed for use with radiant and decorative gas fires complying to BS 7977-1. It is constructed with an aluminium liner and coated steel outer case.

Features and Benefits

Aluminium → Durable

BS 7977-1 → Can be used on gas installations

PRODUCT DESCRIPTION

TecnoFlex Plus is a twin skin flexible chimney liner designed for gas, oil and multi-fuel, where the maximum flue gas temperature does not exceed 600°C. Diameter range 80 - 300mm. Flex Liners come with a Lifetime Guarantee*

Flexible Flue Twin Wall Liner

- Corrugated outer skin for high crush resistance.
- Extra smooth inner skin allows for easy drain down of condensates, less opportunity for soot to collect in the joint area and ease of sweeping.
- Engineered joint design gives extra strength and flexibility.
- Inner skin remains smooth and protective even after the rigours of installation.
- Now with Lifetime*Guarantee.

Triplelock Plus is a single wall stainless steel flexible flue liner designed for atmospheric gas and kerosene appliances where the flue gas temperature does not exceed 260°C. Diameter range Triplelock plus 100 - 200mm.

Flexible Flue Single Wall Liner

- Made from corrosion-resistant 316L stainless steel.



Leak resistant construction due to dovetail folded seam.

- Deep corrugations for high crush resistance and better flexibility when installing.
- Strong seam construction resists the rigours of pulling the liner into place during construction.

For stove and chimney installers – whenever you register an installation with our easy to use, online guarantee registration portal, you will now accrue points based on the number of installations. So [click here](#) to start and register your installations, taking full advantage of our Lifetime Guarantee on Flex and ICID, as well as guarantees on all our other ranges, and to start earning points

TecnoFlex Plus is CE Certified to BS EN1856-2 TÜV 0036 CPR 9195 035 with designations:

High Temperature Applications

T600 N1 W V2 L50012 G

T600 N1 W V2 L70012 G

Low Temperature Applications

T200 P1 W V2 L50012 O

T200 P1 W V2 L70012 O

Triplelock Plus is CE Certified to BS EN1856-2 TÜV 0036 CPR 9195 043 with designations:

Applications

T300 N1 W V2 L50010 O

[Flexible liners brochure](#)

[Flexible liners installation instructions](#)

[Click here](#) to view Certificates and Declarations of Performance for Tecnoflex

[Click here](#) to view Certificates and Declarations of Performance for Triplelock

A useful app with guides on installation as well as step-by-step video guides.

This app was designed for installers to have all the information they require in a few quick clicks. This makes it easier for installers rather than having to carry paperwork during the installation process with video breakdowns of each stage of the installation process.

Download the iPhone and iPad version in the App Store and Android version in the Google Play Store.

